

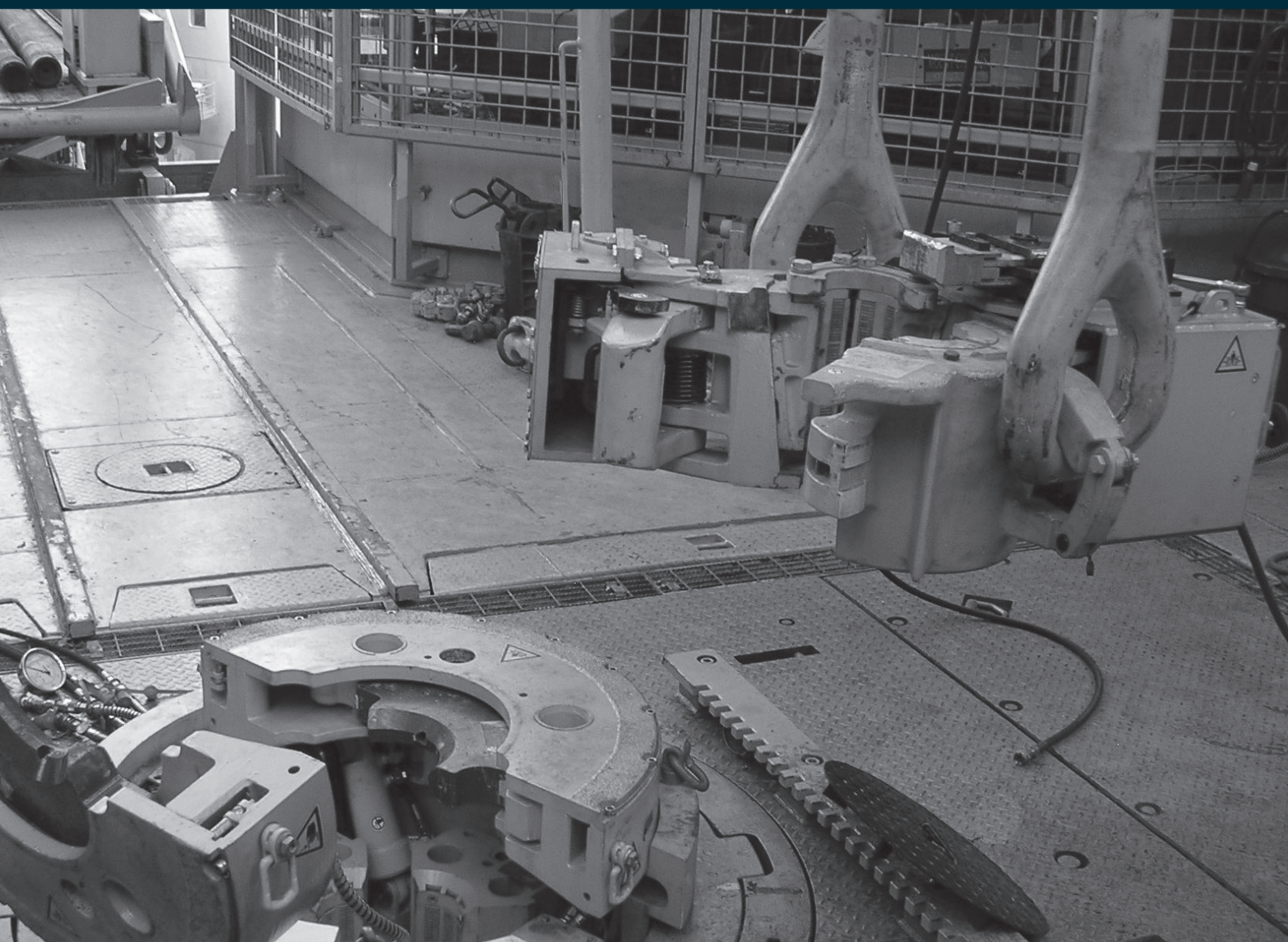
PIPE HANDLING EQUIPMENT

GENERAL CATALOG • HANDLING TOOLS

☎ +1 713 351 7900

🌐 f-e-t.com/drilling

✉ ForumDP.Sales@f-e-t.com



Contents

1250 – 1750 Ton Equipment	3	XP1000 System.....	55
New Product Developments.....	4	Manual Slip	57
Links / Bails	5	Safety Clamps.....	67
Beckets.....	10	Master Bushings & RT-Adapters	70
Elevators.....	11	Insert Bowls.....	71
Tubing Spiders.....	29	API Bowls	72
Control Panels	30	Casing Bushings & Hinged Casing Spiders.....	73
Elevators / Spiders.....	31	Rotating Mouseholes.....	75
Flush Mounted Spider	41	Kelly Spinners	76
Power Slip Elevator	42	Pipe Spinners.....	77
Power Slips	42	Manual Tongs.....	78
Load Rated Master Bushing	50	Manual Drill Pipe & Casing Tongs.....	81
Slip Lifters.....	51	Stabbing Guides	89
Hydraulic Casing Slip Lifters	52	Bore Codes.....	91
BackSavers	53	Service & Repair.....	94

General Information

The manufacturing and assembly facilities of FORUM are located in the port of Hamburg, Germany and in Broussard, Louisiana, USA.
www.f-e-t.com

Applicable Standards & Approvals

Manufacturing, Quality/Safety Standards: API-8C, API-7K, API-Q1, CE, ATEX, GOST / DECLARATION, NORSOK R002
Type Approvals Classification Societies: ABS, DNV-GL



Testing Capabilities

Elevator Load Test Units up to 4000 ton
Torque Testing Unit up to 250 000 ft/lbs
Elevator Link Pull Test Units up to 1020 ton/set, max. 720" (60 ft)
Slip Test Units up to 3200 ton

All Load Capacities in Short Ton unless stated otherwise.

Introduction

FORUM has been a leading manufacturer of Pipe Handling Equipment for the Oil and Gas Industry for over 45 years. In 2013, we combined the legacy product lines of AOT (est. 1984) and B+V (est. 1972).

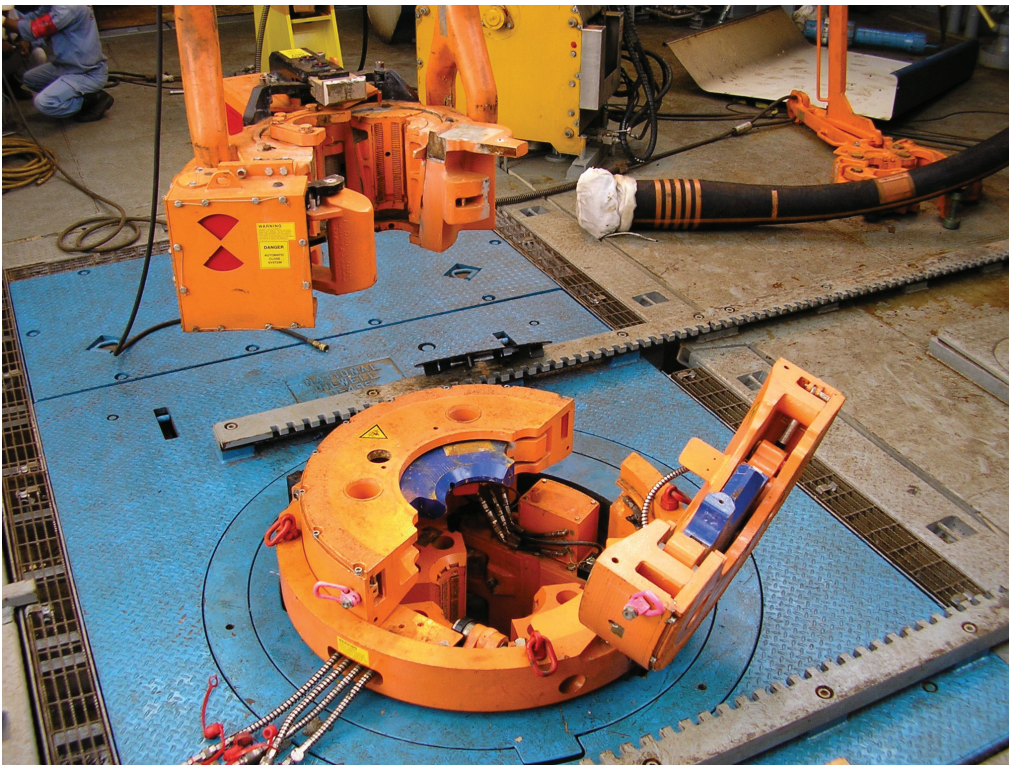
Today FORUM offers an extensive, innovative portfolio of Handling Tools up to 1750 ton load capacity, which meets and exceeds the on- and offshore market requirements worldwide.

Our products are designed and manufactured in Broussard, LA, USA and Hamburg, Germany in accordance with the latest standards of the American Petroleum Institute (API).

Customer satisfaction is the highest priority of our dedicated professionals. To be your preferred partner for innovative Pipe Handling Solutions.

FORUM Offers

- Hydraulic, pneumatic and manual Elevators up to 1500 ton
- Elevator / Spiders up to 1000 ton
- Elevator Links, Link Extensions, Link Connections up to 720" length and up to 1750 ton capacity
- Power Slips from 350 up to 1500 ton
- Bushing Type Elevators which allow the user to utilize one Elevator frame for various pipe sizes
- Wrench & Spinner Combination
- Drill Pipe Spinners
- Casing Bushings & Hinged Casing Spiders
- Manual Tongs up to 160 000 ft/lbs
- Manual Slips
- Safety Clamps
- Master Bushings
- Load Rated Master Bushing up to 1500 ton
- Slip Lifter / BackSaver
- Rotating Mousehole
- Kelly Spinners
- Spare Parts & Inserts



Ultra Deep Water Drilling

FORUM provides innovative handling tool solutions for ultra deepwater operations up to 1750 ton.



AMP-1250

The **Automated Multi Pipe Elevator 1250**

(AMP-1250/1500) has been developed to enhance rig safety and efficiency while handling heavy tubular or riser running tools, between 5.1/2" – 9.7/8" up to 1500 ton.



PS-1250

The **Power Slip 1250** (PS-1250) has been developed to handle heavy casing and landing strings between 3.1/2" – 14", up to 1250 ton string weight.



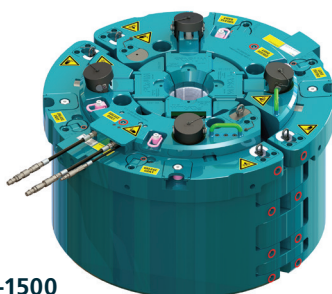
SBE-1250

The **Solid Body Elevator** (SBE) is designed for handling riser running tools with either fixed or detachable couplings. A solid forged design with highest strength material allows loads up to 1250 ton.

Elevator Links connect Top Drive and Elevator to lift and hold heavy tubulars. FORUM's links are forged from one single piece of high grade steel, to reach strength. FORUM offers lengths between 48" & 720" and up to 1750 ton capacity.



ELEVATOR LINKS



LRMB-1500

The **Load Rated Master Bushing 1500** (LRMB-1500) is specially designed for drilling operations and can hold long and heavy tubulars with a weight up to 1250 ton and a range of 2.3/8" to 13.3/8" while installed in a 49.1/2" rotary table.

New Product Developments

SH One

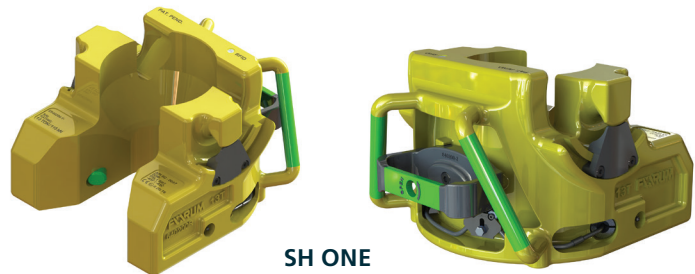
DESCRIPTION

Forums SH one is designed to handle single, double or triple pipe joints from any position.

FEATURES

- Increased operation speed
- Easy and safe operation of up to 3 pipe joints

Additional information on page 20



SH ONE



F-500

F-500

DESCRIPTION

The (VES-)F-500 is Forums next Generation drill pipe elevator replacing the (VES-)CL-500 and HGG elevators. .

FEATURES

- Extended Range to 7.5/8"
- New ear design for horizontal pickup
- Improved latch design
- RFID Chip
- Weight optimized, reduced by 35%

F-500			
P/N Elevator	P/N Bushing Assembly	Load Rating	Range
646500-BC	N/A	500 t	2.3/8" - 7.5/8"

VES-F-500			
P/N Elevator	P/N Bushing Assembly	Load Rating	Range
616500-Y	616540-BC	500 t	2.3/8" - 7.5/8"

AMS-125

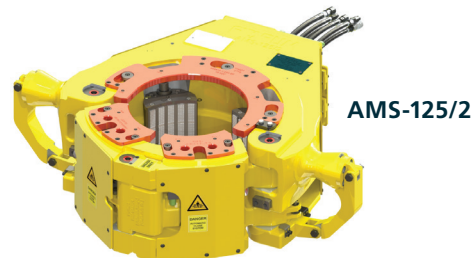
DESCRIPTION

The AMS-125 is a completely hydraulic operated slip-type elevator to safely handle flush pipes without load shoulder

FEATURES

- Synchronized slip setting sequence
- Booster ensures consistent hydraulic pressure
- Patented
- Hydraulic feedbacks "Slips set" & "Door closed"
- Can handle larger diameters than any other comparable tool

Additional information on page 19.



AMS-125/2

Note: For BC (Bore Code) please see Page 90-92

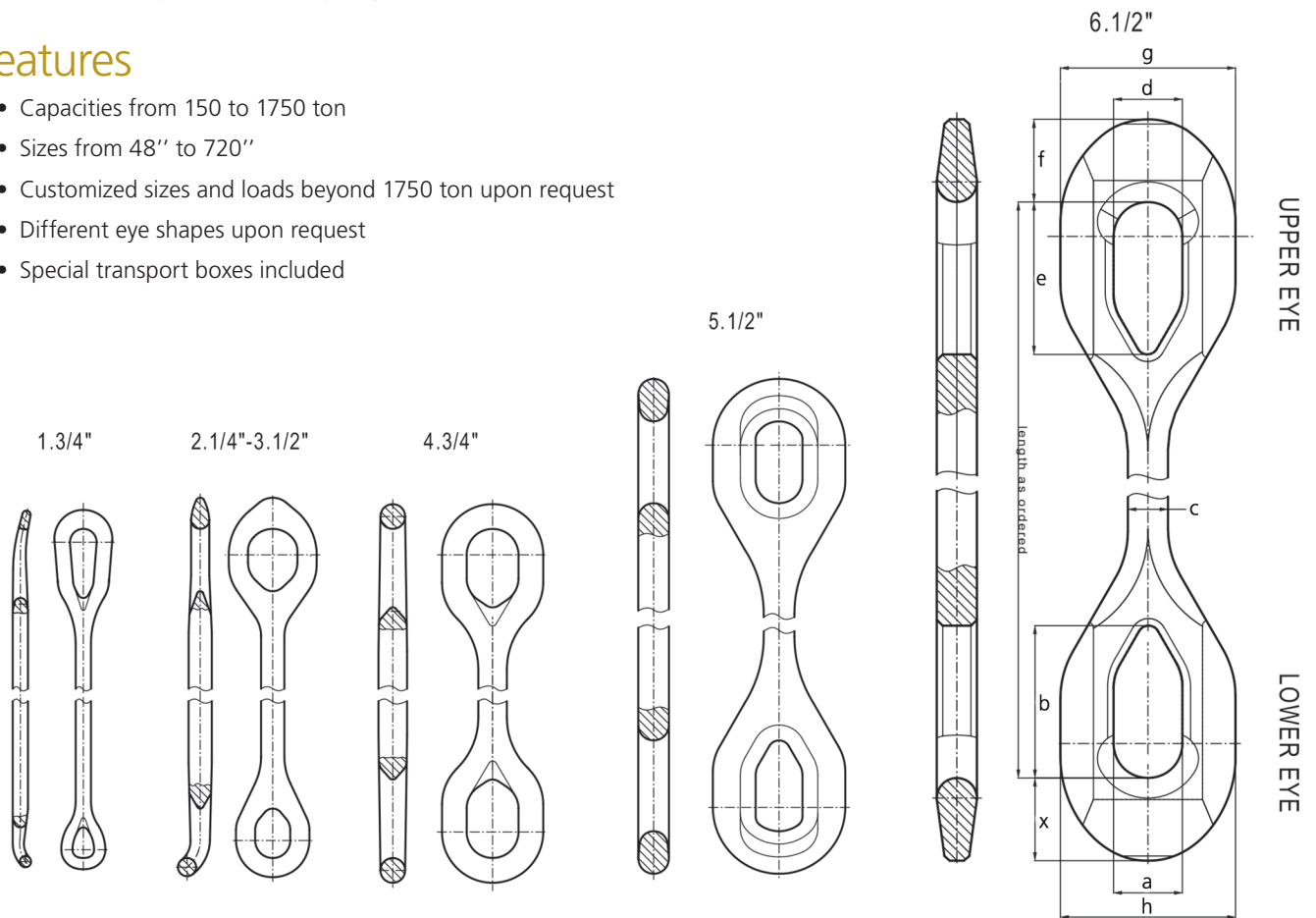
Links / Bails

Description

Elevator Links connect Top Drive and Elevator to lift and hold heavy tubulars. FORUM's links are forged from one single piece of high grade steel, to reach strength. FORUM offers lengths between 48" & 720" and up to 1750 ton capacity.

Features

- Capacities from 150 to 1750 ton
- Sizes from 48" to 720"
- Customized sizes and loads beyond 1750 ton upon request
- Different eye shapes upon request
- Special transport boxes included



DIMENSIONS										
Ton	Size	x	a	b	c	d	e	f	g	h
150	1.3/4"	2.1/4"	4.3/16"	5.1/2"	3"	5.1/4"	13"	3.3/4"	11.3/8"	8.1/2"
250	2.1/4"	2.2/5"	5.1/2"	8"	3"	8"	10.1/4"	5"	14.1/8"	10.1/4"
350	2.3/4"	2.3.8"	5.53/64"	8"	3.2/3"	9.1/4"	11.3/4"	5.3/8"	15.3/4"	11.13/16"
500	3.1/2"	3.1/2"	6.3/4"	10.1/4"	4.1/2"	9.1/2"	12"	6.1/16"	17.3/8"	14"
750	4.3/4"	4.3/4"	10"	15"	5.1/2"	10"	15"	4.3/4"	19.1/2"	19.1/2"
1000	5.1/2"	8.3/16"	12.1/2"	17.1/2"	5.1/2"	12.3/4"	17.1/2"	8.3/16"	25.1/2"	25.1/2"
1250	5.1/2"	8.3/16"	12.1/2"	17.1/2"	5.1/2"	12.1/2"	17.1/2"	8.3/16"	25.1/2"	25.1/2"
1500	6.1/2"	6.1/2"	12.1/2"	17"	6.45/64"	12.1/2"	17"	6.1/2"	25.1/2"	25.1/2"

All shown values in the table are nominal values and not toleranced. These values should not be used for integration or fitting purposes. Should be taken for anything like integration or fitting purposes. Contact FET to get accurate toleranced dimensions!

LINKS		
Load Rating	Size	P/N
150 ton	1.3/4" x 48"	134 048-Y
	12" increases	
	1.3/4" x 360"	134 360-Y
250 ton	2.1/4" x 48"	214 048-Y
	12" increases	
	2.1/4" x 480"	214 480-Y
350 ton	2.3/4" x 48"	234 048-Y
	12" increases	
	2.3/4" x 720"	234 720-Y
500 ton	3.1/2" x 72"	312 072-Y
	12" increases	
	3.1/2" x 720"	312 720-Y
750 ton	4.3/4" x 72"	434 072-Y
	12" increases	
	4.3/4" x 720"	434 720-Y
1000 ton	5.1/2" x 96"	512 096-Y
	12" increases	
	5.1/2" x 540"	512 540-Y
1250 ton	6.1/2" x 120"	612 120-Z-1250
	12" increases	
	6.1/2" x 240"	612 240-Z-1250
1500 ton	6.1/2" x 120"	612 120-Z-1500
	12" increases	
	6.1/2" x 240"	612 240-Z-1500
1750 ton	6.1/2" x 120"	612 120-Z-1750
	12" increases	
	6.1/2" x 240"	612 240-Z-1750

Build your P/N

Example	134	048	-Y*
			-Z**
	Size	Length	Suffix

-Y for API 8C-PSL1 **-Z for API 8C-PSL2



Length - Available sizes/inch (")									
ton	150	250	350	500	750	1000	1250	1500	1750
48	48	48							
60	60	60							
72	72	72	72	72	72				
84	84	84	84	84	84				
96	96	96	96	96	96	96			
108	108	108	108	108	108	108			
120	120	120	120	120	120	120	120	120	120
132	132	132	132	132	132	132	132	132	132
144	144	144	144	144	144	144	144	144	144
150	150	150	150	150	150	150	150	150	150
156	156	156	156	156	156	156	156	156	156
168	168	168	168	168	168	168	168	168	168
180	180	180	180	180	180	180	180	180	180
192	192	192	192	192	192	192	192	192	192
204	204	204	204	204	204	204	204	204	204
216	216	216	216	216	216	216	216	216	216
228	228	228	228	228	228	228	228	228	228
240	240	240	240	240	240	240	240	240	240
252	252	252	252	252	252	252			
264	264	264	264	264	264	264			
276	276	276	276	276	276	276			
288	288	288	288	288	288	288			
300	300	300	300	300	300	300			
312	312	312	312	312	312	312			
324	324	324	324	324	324	324			
336	336	336	336	336	336	336			
348	348	348	348	348	348	348			
360	360	360	360	360	360	360			
	372	372	372	372	372	372			
	384	384	384	384	384	384			
	396	396	396	396	396	396			
	408	408	408	408	408	408			
	420	420	420	420	420	420			
	432	432	432	432	432	432			
	444	444	444	444	444	444			
	456	456	456	456	456	456			
	468	468	468	468	468	468			
	480	480	480	480	480	480			
	492	492	492	492	492	492			
	504	504	504	504	504	504			
	516	516	516	516	516	516			
	528	528	528	528	528	528			
	540	540	540	540	540	540			
	552	552	552						
	564	564	564						
	576	576	576						
	588	588	588						
	600	600	600						
	612	612	612						
	624	624	624						
	636	636	636						
	648	648	648						
	660	660	660						
	672	672	672						
	684	684	684						
	696	696	696						
	708	708	708						
	720	720	720						

Link Connectors

Description

Link Connectors connect the upper and lower eyes of standard API 8C Elevator Links in an ergonomic and weight-optimized manner. The robust design and quick installation allow safe and efficient lifting of equipment around the well center and drill floor.

Features

- Available in 350 & 500 ton, other capacities upon request
- Increase length of the total link connection system by 16.54"
- Proof load tested with 1,5 times max load rating
- API 8C specified radii

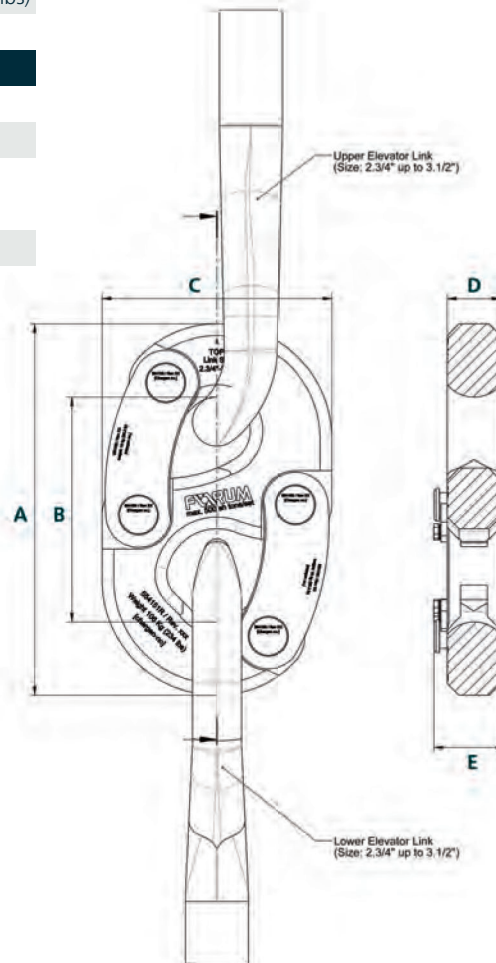


LINK CONNECTORS



LINK CONNECTORS			
Load Rating	Size	P/N	Weight (pair)
350 & 500 ton	2.3/4" & 3.1/2"	554 150	313 kg (691 lbs)

DIMENSION LINK CONNECTORS		
A	B	C
27.3 inch (695 mm)	16.54 inch (420 mm)	16.93 inch (430 mm)
D	E	
3.94 inch (100 mm)	5.24 inch (133 mm)	



Patent US20170284438A1

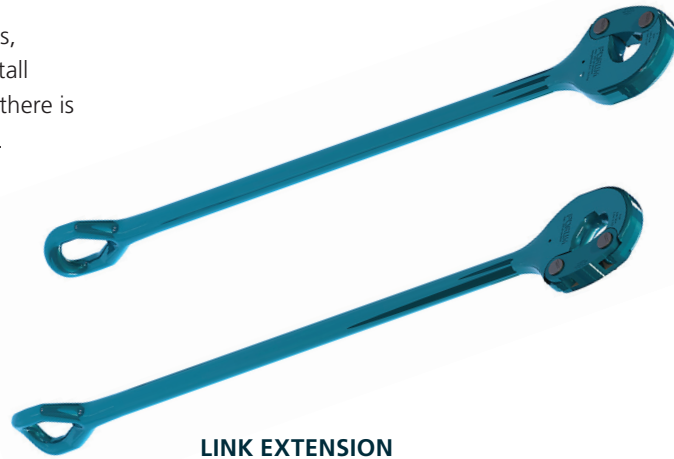
Link Extensions

Description

The Link Extensions connect to the existing standard links, eliminating the need to remove the standard Links to install extra-long links. As a result, downtime is decreased and there is no need for an additional set of extra-long elevator links.

Features

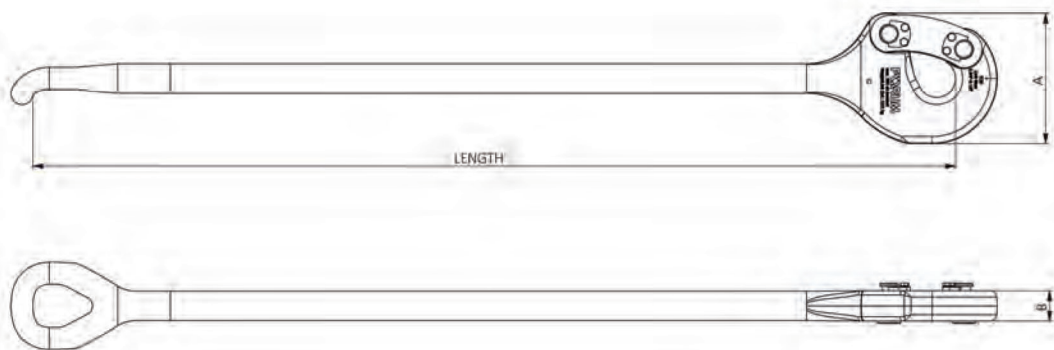
- 350 ton or 500 ton load rating per set
- Length ranges from 48" to 144"
- All radii specified by API 8C



LINK EXTENSION



Link Extensions						
P/N	Upper Link Size		Length	Dim. A	Dim. B	Weight/set
Metric [Imperial]	Min	Max [in]	in [mm]	in [mm]	in [mm]	lb [kg]
234 048-Y-LE2 [-Im]	2.3/4"	3.1/2"	48" [1219]	16.9 [430]	3.9 [100]	819.5 [371,7]
234 072-Y-LE2 [-Im]	2.3/4"	3.1/2"	72" [1829]	16.9 [430]	3.9 [100]	975.5 [442,5]
234 096-Y-LE2 [-Im]	2.3/4"	3.1/2"	96" [2438]	16.9 [430]	3.9 [100]	1131.4 [513,2]
234 108-Y-LE2 [-Im]	2.3/4"	3.1/2"	108" [2743]	16.9 [430]	3.9 [100]	1248.3 [566,2]
234 120-Y-LE2 [-Im]	2.3/4"	3.1/2"	120" [3048]	16.9 [430]	3.9 [100]	1287.3 [583,9]
234 132-Y-LE2 [-Im]	2.3/4"	3.1/2"	132" [3353]	16.9 [430]	3.9 [100]	1365.3 [619,3]
234 144-Y-LE2 [-Im]	2.3/4"	3.1/2"	144" [3658]	16.9 [430]	3.9 [100]	1443.3 [654,7]



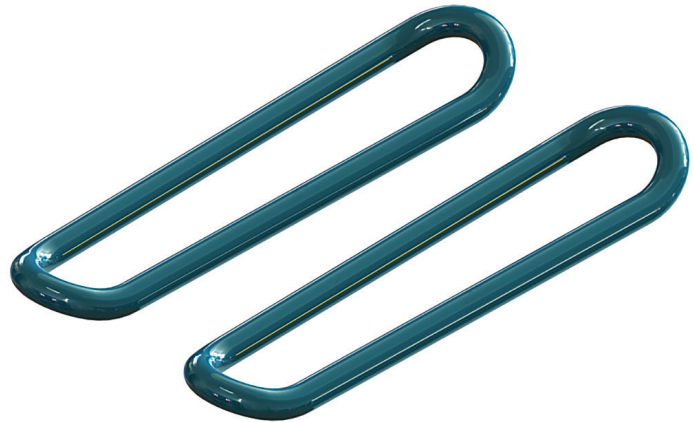
Perfection Links

Description

FORUM Perfection Links are designed to be used with a standard Drill Pipe Elevator and becket for light loads when pulling drill collar and are load rated for 150 ton.

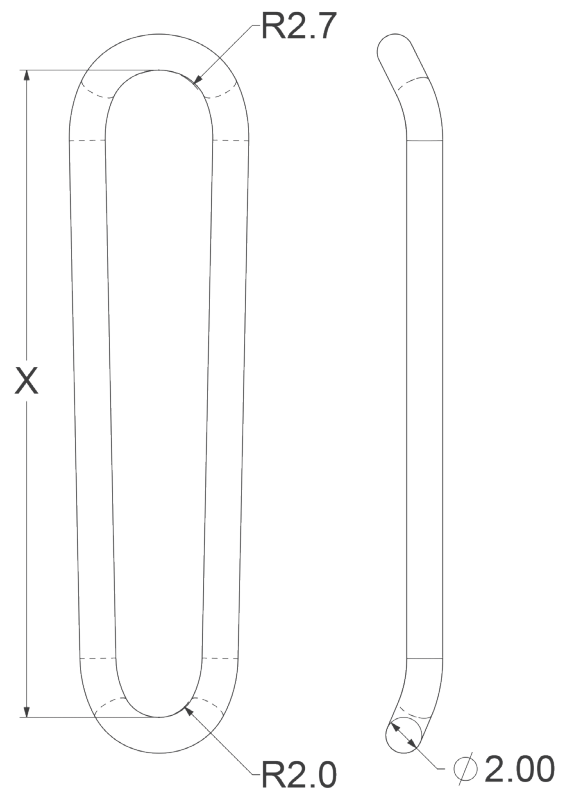
Features

- Available in 36" and 42" lengths



PERFECTION LINKS

PERFECTION LINKS				
Load Rating*	Description	P/N	Weight	Dimension X
150 ton	2" x 36" Perfection Links (Set)	200-036-Y	68 kg (150 lbs)	36" (914mm)
150 ton	2" x 42" Perfection Links (Set)	200-042-Y	78 kg (172 lbs)	42" (1067mm)



*Rating is for the Set of Perfection Links

Beckets

Description

FORUM Beckets are designed to be used with a standard drill pipe elevator and perfection links for light loads when pulling drill collar and are load rated for 150 ton.

Features

- Available in 4 sizes with 18° taper
- Available with NC 38 connection for use with lift sub
- Designed and tested to API 8C requirements



**STANDARD
BECKET**

**THREADED (NC38)
BECKET**

BECKETS				
Description	P/N	Compatible Bore Codes**	Load Rating	Weight
Drill Collar Lift Becket, Bore 120-123	E31189-120-123	120, 122, 123	150 ton	93 kg (205 lbs)
Drill Collar Lift Becket, Bore 121-123	E31189-121-123	121, 122, 123	150 ton	93 kg (205 lbs)
Drill Collar Lift Becket, Bore 121 and 124	E31189-121-124	121, 124	150 ton	99 kg (218 lbs)
Drill Collar Lift Becket, Bore 122-124	E31189-122-124	122, 123, 124	150 ton	106 kg (234 lbs)
Drill Collar Lift Becket, W/NC 38	E31189-NC38	N/A	150 ton	75 kg (166 lbs)

**For Bore Code please see Page 90-92 column 2

Solid Body Elevator

Description

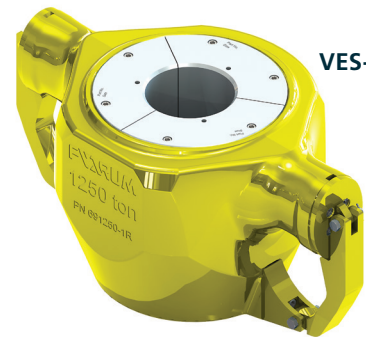
The Solid Body Elevator (SBE) is designed for handling riser running tools with either fixed or detachable couplings. A solid forged design with highest strength material allows loads up to 1250 ton.

Features

- Pipe range from 5" – 12.3/4"
- Other sizes upon request
- SBE with fixed bore code
- VES-SBE bushing system for RRT with detachable couplings
- Manufactured according to API 8C PSL2



SBE-1250



VES-SBE-1250



SOLID BODY ELEVATOR (SBE-1250)					
Type	Range	Load Rating	P/N	Weight*	Link Size
SBE-1250	5" – 12.3/4"	1250 ton	691 250-Z-BC**	1820 kg (4012 lbs)	1000 – 1500
VES-1-SBE-1250***	5" – 8.5/8"	1250 ton	691 250-Z-VES-1	1610 kg (3549 lbs)	1000 – 1500
VES-2-SBE-1250***	8.3/4" – 9.5/8"	1250 ton	691 250-Z-VES-2	1550 kg (3417 lbs)	1000 – 1500
VES-3-SBE-1250***	9.7/8" – 12.3/4"	1250 ton	691 250-Z-VES-3	1485 kg (3274 lbs)	1000 – 1500

SOLID BODY ELEVATOR BUSHING TYPE (VES-SBE-1250)		
VES-1-SBE-1250***	Size	P/N
	6.5/8"	691 253-1-531
	7"	691 253-1-530
	8"	691 253-1-532
	8.1/2"	691 253-1-533
	8.5/8"	691 253-1-544
VES-2-SBE-1250***	Size	P/N
	8.3/4"	691 253-2-534
	9.29"	691 253-2-537
	9.40"	691 253-2-539
	9.5/8"	691 253-2-538
VES-3-SBE-1250***	Size	P/N
	12.3/4"	691 253-2-543

*Weight without Bushings
 **BC = Bore Code – see Page 90-92 column 1
 ***Variable Elevator System with interchangeable Bushing System



VES-SBE-1250 WITH RISER RUNNING TOOL

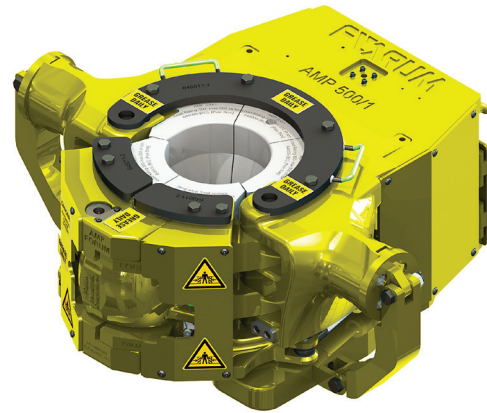
Automated Multi Pipe Elevator

Description

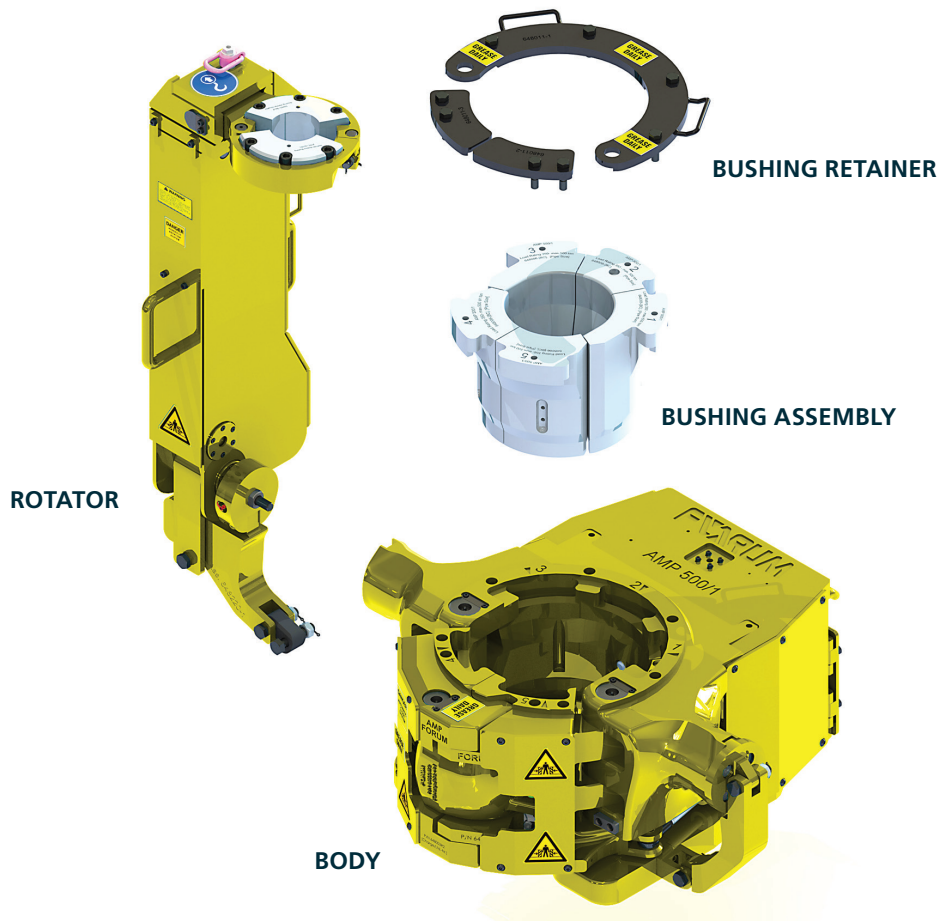
The AMP Elevator is a hydraulic double door bushing type Elevator for handling tubulars between 2.3/8" – 22" and loads from 350 to 1500 ton.

Features

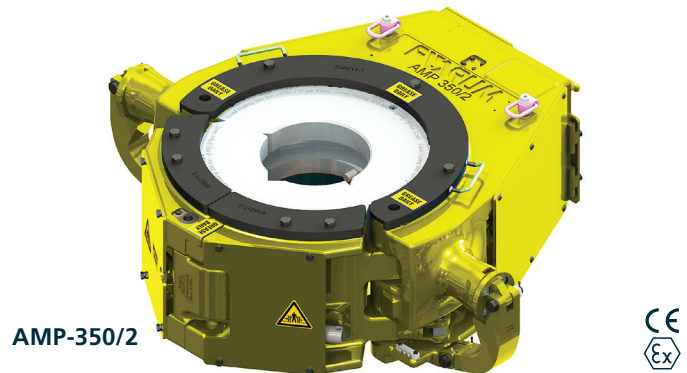
- Integrated load cell for increased safety
- Trigger closing mechanism
- "Elevator closed" feedback signal
- Interfaces with Top Drives of all OEMs
- Optional rotator systems:
 - Single acting (+90° doors up)
 - Double acting (+90° doors up / -55° doors down)



AMP-500/1



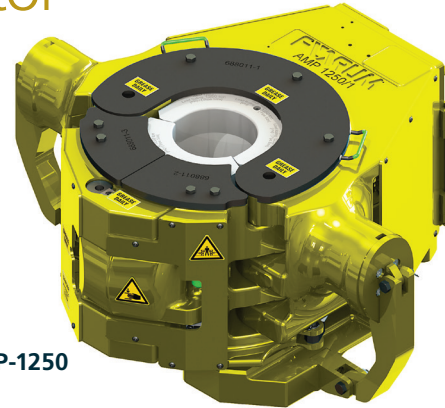
Automated Multi Pipe Elevator



AMP ELEVATORS				
	AMP-350/1	AMP-350/2	AMP-500/1	AMP-500/2
P/N with BV and VC control	638 100-Y	638 200-Y	648 100-Y	648 200-Y
Pipe Size	2.3/8" – 11"	9.5/8" – 20"	2.3/8 – 11"	9.5/8" – 22"
Load Rating	350 ton / 18°	350 ton / 90°	500 ton / 18°	500 ton / 90°
	350 ton / 45°		650 ton / 45°	
	350 ton / 90°		650 ton / 90°	
Length [mm]/[inch]	900 / 35.43"	1157 / 45.55"	1092 / 43"	1260 / 49.60"
Width [mm]/[inch]	1100 / 43.30"	1382 / 54.41"	1150 / 45.27"	1562 / 61.49"
Height [mm]/[inch]	442 / 17.4"	442 / 17.4"	465 / 18.3"	470 / 18.50"
Ear to Ear [mm]/[inch]	750 / 29.52"	1050 / 41.34"	830 / 32.68"	1200 / 47.24"
Weight*	800 kg (1764 lbs)	1020 kg (2249 lbs)	1000 kg (2205 lbs)	1300 kg (2866 lbs)
Link Size [t]	350/500	350/500	500/750	500/750
Bushing Assembly				
P/N	638 106-BC**	638 206-BC**	648 006-BC**	648 206-BC**
Hook Up Kit				
P/N	648 100-HUK	648 100-HUK	648 100-HUK	648 100-HUK
AMP Rotator System				
Elevator Rotator System (double-acting +90° doors up/ -55° doors down)				
	678 800-350	678 800-350	678 800-500	678 800-500
Elevator Rotator System (single-acting +90° doors up/ -55° doors down)				
	678 801-350	678 801-350	678 801-500	678 801-500
Control Unit AMP/SD				
P/N	645 002-EL	645 002-EL	645 002-EL	645 002-EL
Control Unit Rotator (hydraulic)				
P/N	678 190-H	678 190-H	678 190-H	678 190-H
Control Unit Rotator (electric)				
P/N	678 190-EL	678 190-EL	678 190-EL	678 190-EL
Stand-alone Control Unit				
P/N	757 190	757 190	757 190	757 190

* Weight without Bushings **BC = Bore Code – see Page 90-92 column 1

Automated Multi Pipe Elevator



AMP-1250



VES-SD-500/3	AMP-750/1	AMP-1000/1	AMP-1250/1
646 600-Y	678 100-Y	618 100-Y	688 000-Y
20" – 30"	2.3/8" – 11"	2.3/8" – 11"	5.1/2" – 9.7/8"
500 ton / 90°	750 ton / 18°	1000 ton / 18°	1250 ton / 18°
n/a	1000 ton / 45°	1000 ton / 45°	1500 ton / 45°
n/a	1000 ton / 90°	1000 ton / 90°	1500 ton / 90°
1550 / 61.02"	1105.5 / 43.52"	1105.5 / 43.52"	1181.4 / 46.5"
2016 / 79.37"	1370 / 53.94"	1370 / 53.94"	1432 / 56"
490 / 19.29"	571 / 22.5"	571 / 22.5"	643.4 / 25.33"
1715 / 67.52"	960 / 37.8"	960 / 37.8"	1050 / 41.34"
1980 kg (4365 lbs)	1430 kg (3153 lbs)	1430 kg (3153 lbs)	2018 kg (4449 lbs)
500	750/1000	750/1000	1250/1500
645 600-BC**	678 106-BC**	618 106-BC**	688 006-BC**
675 100-HUK	648 100-HUK	648 100-HUK	648 100-HUK
678 800-500	678 800-750	678 800-1000	678 800-1250
678 801-500	678 801-750	678 801-1000	678 801-1250
645 002-EL	645 002-EL	645 002-EL	645 002-EL
678 190-H	678 190-H	678 190-H	678 190-H
678 190-EL	678 190-EL	678 190-EL	678 190-EL
757 190	757 190	757 190	757 190

Calculated sound pressure level: 87,8 dB(A)

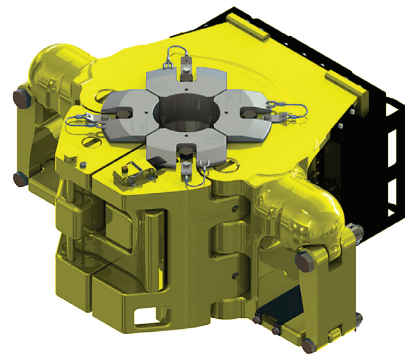
Xtreme Performance Elevator – XP-1000

Description

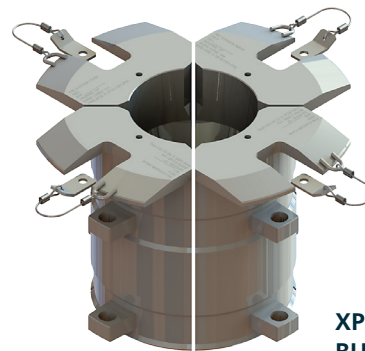
FORUM XP-1000 Elevators are hydraulically operated, side door elevators which are operated remotely from the drillers cabin or standalone control panels. Designed to handle 18° and 45° type drill pipe ranging from 3.1/2" – 6.906" and load ratings from 1000 ton at 18° up to 1250 ton at 45°.

Features

- Link compatibility: 750 – 1250 ton
- Load activated latch lock with manual safety engagement for loads less than 1000 lbs
- Insert bushings available for multiple pipe sizes and grades
- Interfaces with existing rig controls
- Designed to interface with multiple control systems
- Dual bulkhead equipped for variable operating systems
- Provides both hydraulic and pneumatic closed feedback



**XP-1000
ELEVATOR**



**XP-1000
BUSHING**



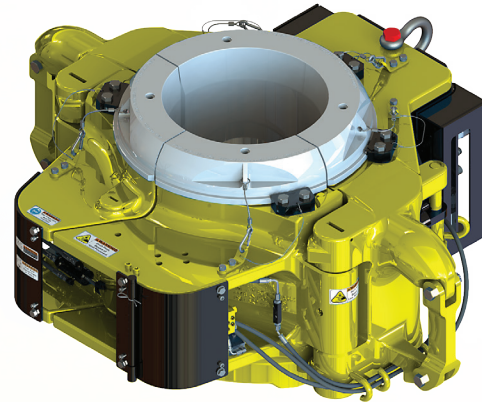
XP-1000 ELEVATORS (Without Bushings)						
Type	Range	P/N	18° Load Rating	45° Load Rating	Weight	Link Size
XP-1000	3.5" – 6.906"	E100100-06	1000 ton	1250 ton	1528 kg (3369 lbs)	750 – 1250
XP-1000	3.5" – 6.906"	E100200-06	1000 ton	1000 ton	1528 kg (3369 lbs)	750 – 1250

XP-1000 BUSHINGS						
Size	Taper	P/N	Load Rating in E100100	Load Rating in E100200	Weight	
3.1/2" EU	18°	E100206-120	1000 ton	1000 ton	193 kg (426 lbs)	
4" EU, 4.1/2" IU, 4.1/2" IEU	18°	E100206-122	1000 ton	1000 ton	178 kg (393 lbs)	
4.1/2" EU, 5" IEU	18°	E100206-123	1000 ton	1000 ton	172 kg (378 lbs)	
5.1/2" IEU (FH)	18°	E100206-124	1000 ton	1000 ton	162 kg (356 lbs)	
5.7/8"	18°	E100206-5875	1000 ton	1000 ton	159 kg (350 lbs)	
6.5/8"	45°	E100206-6600	1250 ton	1000 ton	138 kg (305 lbs)	
6.5/8" IEU / 6.906"	18°	E100206-7500	1000 ton	1000 ton	132 kg (291 lbs)	
6.5/8" EU	18°	E100206-7600	1000 ton	1000 ton	128 kg (281 lbs)	

Automated Side Door Elevator – ASD

Description

FORUM’s hydraulically-operated, fully Automated Side Door Elevator (ASD) quickly and safely picks up many ranges of casing and other tubulars, enabling safe hoisting and movement within the derrick and around the rig floor. Additionally, the ASD is equipped with multiple safety features and operator feedback options. All components are designed, manufactured and tested to the latest API 8C edition.



ASD-IB ELEVATOR

Features

- Directly compatible with various lock out systems
- Hydraulic or Pneumatic Feedback Signals
- Plug-and-Play with most Operating Systems
- Optional Control Panel
- Uses common HPU pressures and flowrates improving efficiency through use of existing rig systems
- Dual bulkhead equipped for variable operating systems
- Streamlined Design for minimal operational space required
- Provides both hydraulic and pneumatic closed feedback

ASD ELEVATORS (Without Bushings)					
Type	Range	P/N	90° Load Rating	Weight	Link Size
ASD-500/1	9.5/8" – 16"	E40400-06 -BC**	500 ton	1364 kg (3007 lbs)	250 – 500
ASD-500/2	16" – 24"	E40600-06 -BC**	500 ton	1939 kg (4274 lbs)	500 – 1250
ASD-350/3	24" – 30"	E40650-06 -BC**	350 ton	2169 kg (4782 lbs)	350 – 1250
ASD-350/4	30" – 36"	E40700-06 -BC**	350 ton	2440 kg (5380 lbs)	350 – 1250

ASD-IB ELEVATORS (Bushing Style Less Bushings)					
Type	Range	P/N	90° Load Rating	Weight	Link Size
ASD-500/1	9.5/8" – 14.3/8"	E40400-06-IB	500 ton	1264 kg (2787 lbs)	250 – 500
ASD-500/2	14.9/16" – 22"	E40600-06-IB	500 ton	1970 kg (4342 lbs)	500 – 1250

ASD-IB BUSHINGS (ASD-500/1)*					
Type	Connection/Pipe Size	Bushing P/N	Rise	Weight	
Bushing, 14.00 TTR-HD Box	14.00 TTR-HD	1112029	12"	231 kg (510 lbs)	
Bushing, 10.75 TTR-HD Box	10.75 TTR-HD	1112080	12"	313 kg (690 lbs)	
Bushing, 9.63 ZF2005 Connection	9.63 ZF2005	1114044	12"	346 kg (763 lbs)	
Bushing, 141 Bore	9.5/8" Casing	1114382	12"	360 kg (793 lbs)	
Bushing, 143 Bore	11.3/4" Casing	1114460	12"	309 kg (682 lbs)	
Bushing, 10.19 ZF2005 Connection	10.19 ZF2005	1114479	12"	304 kg (671 lbs)	

ASD-IB BUSHINGS (ASD-500/2)*					
Type	Connection/Pipe Size	Bushing P/N	Rise	Weight	
Bushing, 16.77 ZF2005/PR-85	16.77 ZF2005/PR-85	1117337	12"	733 kg (1615 lbs)	
Bushing, 14.00 TTR-HD Box	14.00 TTR-HD	1145888	12"	813 kg (1792 lbs)	

* Additional sizes available upon request. ** BC = Bore Code - See Page 90-92 column 2

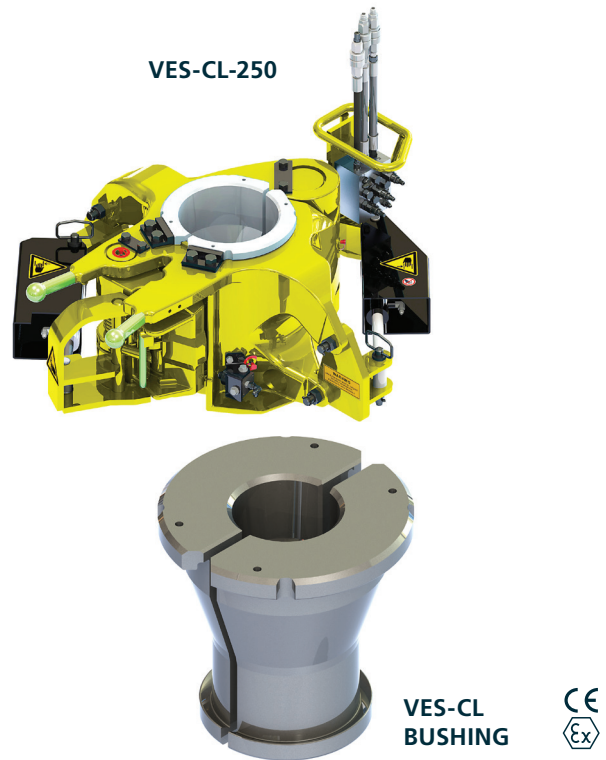
Hydraulic Operated Elevators

Description

FORUM's Hydraulic Center Latch Elevators are equipped with a bushing system to handle tubulars with square and tapered load shoulders between 2.3/8" – 9.7/8".

Features

- Pipes from 2.3/8" – 9.7/8"
- Capacities from 150 to 1250 ton
- For drill pipe, casing, drill collar, tubing and RRT
- "Elevator closed" feedback signal
- Optionally available with wear bushing to minimize wear and to decrease the noise level
- Interfaces with Top Drives of all OEMs



HYDRAULIC VES-CL SERIES (WITHOUT BUSHINGS)						
Type	Range	P/N	Load Rating	Weight	Link Size	
VES-CL-150	2.3/8" – 5.1/4"	611 900-Y-H-TF**	150 ton	132 kg (290 lbs)	150 – 350	
VES-CL-250	2.3/8" – 5.1/4"	612 900-Y-H-TF**	250 ton	255 kg (563 lbs)	250 – 500	
VES-CL-350	2.3/8" – 7"	613 000-Y-H-F**	350 ton	425 kg (937 lbs)	250 – 500	
VES-CL-750	3.1/2" – 7"	617 500-Y-H**	750 ton	1831 kg (4037 lbs)	750 – 1000	
VES-CL-1000	3.1/2" – 7"	611 000-Y-H**	1000 ton	2096 kg (4620 lbs)	1000 – 1250	
VES-CL-1250	3.1/2" – 7"	612 500-Y-H**	1250 ton	2041 kg (4500 lbs)	1000 – 1250	

Calculated sound pressure level: 87,8 dB(A)

VES-CL BUSHINGS	
Type	P/N
VES-CL-150/250	612 900-BC*
VES-CL-350/500	613 902-BC*
VES-CL-750	617 510-BC*
VES-CL-1000	611 030-BC*
VES-CL-1250	upon request

WEAR BUSHINGS	
Type	P/N
VES-CL-350/500	615 985-BC*

*BC = Bore Code – see Page 90-92 column 1 **add -WB for Wear Bushing option

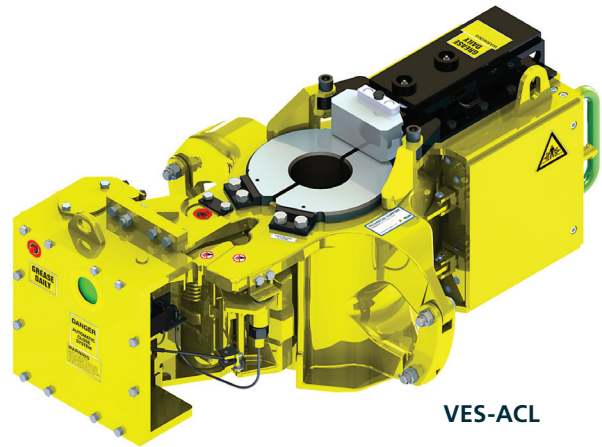
Air Operated Elevators

Description

FORUM's Pneumatic Center Latch Elevators are equipped with a bushing system to handle tubulars with square and tapered load shoulders between 2.3/8" – 7.5/8". The ABVC version can handle flush tubulars by means of an interchangeable slip system.

Features

- Pipes from 2.3/8" – 7.5/8"
- Capacities from 150 to 500 ton
- "Elevator closed" visual feedback
- Optionally available with wear bushing to minimize wear and to decrease the noise level



VES-ACL



AIR OPERATED CENTER LATCH ELEVATOR (ACL), 18° TAPER

Type	Range	P/N	Load Rating	Weight	Link Size
ACL-250	3.1/2" – 5.1/2"	612 970-Y-BC*	250 ton	494 kg (1090 lbs)	250 – 500

Calculated sound pressure level: 101 dB(A)

AIR OPERATED CENTER LATCH ELEVATOR, BUSHING TYPE (VES-ACL)

Type	Range	P/N	Load Rating	Weight	Link Size
VES-ACL-350	2.3/8" – 7"	613 970-Y	350 ton	494 kg (1090 lbs)	250 – 500

Calculated sound pressure level: 101 dB(A)

AIR OPERATED SLIP TYPE ELEVATOR (ABVC)

Type	Range	P/N	Load Rating	Weight	Link Size
ABVC-150	1.315" – 7"	671 650-Y	150 ton	506 kg (1115 lbs)	150 – 500
ABVC-200	2.3/8" – 7.5/8"	672 600-Y	200 ton	1027 kg (2265 lbs)	150 – 500

VES-ACL BUSHINGS

Type	P/N
VES-ACL-250	612 900-BC*
VES-ACL-350/500	613 902-BC*

TRIGGER CLOSING TOOL

Type	P/N
ACL-250	613 700-TCT
ACL-350/500	613 700-TCT
VES-ACL-250	613 700-TCT
VES-ACL-350/500	613 700-TCT

*BC = Bore Code – see Page 90-92 column 1

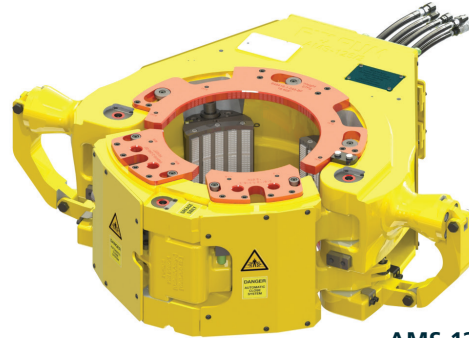
AMS-125

Description

The AMS-125 is a completely hydraulic operated slip-type elevator to safely handle flush pipes without load shoulder

Features

- Synchronized slip setting sequence
- Booster ensures consistent hydraulic pressure
- Patented
- Hydraulic feedbacks "Slips set" & "Door closed"
- Can handle larger diameters than any other comparable tool



AMS-125/2

AMS-125/1							
P/N	Load Rating	Range	Slip Assembly	Guide Plate Assembly	Hook Up Kit	Rotator (Single-Acting)	Rotator (Double-Acting)
638410-Y	125 t	7.5/8" - 17"	638315-BC	638316-BC	638310-HUK	678801-350	678800-350

AMS-125/2							
P/N	Load Rating	Range	Slip Assembly	Guide Plate Assembly	Hook Up Kit	Rotator (Single-Acting)	Rotator (Double-Acting)
648410-Y	125 t	13.3/8" - 20"	648315-BC	648316-BC	638310-HUK	678801-500	678800-500

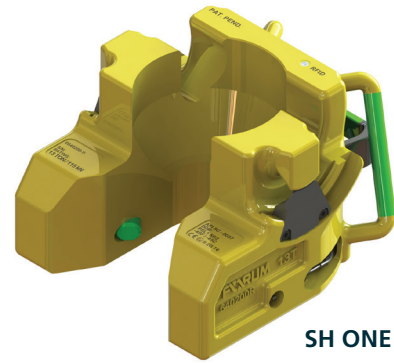
SH One

Description

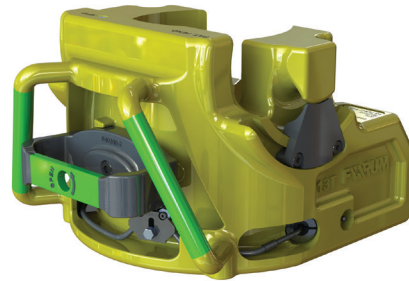
Forums SH one is designed to handle single, double or triple pipe joints from any position.

Features

- Increased operation speed
- Easy and safe operation of up to 3 pipe joints



SH ONE



SH One	P/N	Load rating	Range
Frame 1	640100-Y-BC	13 t	2.7/8" – 4"
Frame 2	640200-Y-BC	13 t	4" - 5.7/8"
Frame 3	640300-Y-BC	13 t	5.7/8" – 6.5/8"
Swivel Sling Assembly	640200-S		

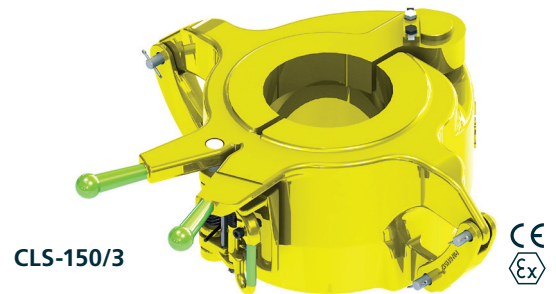
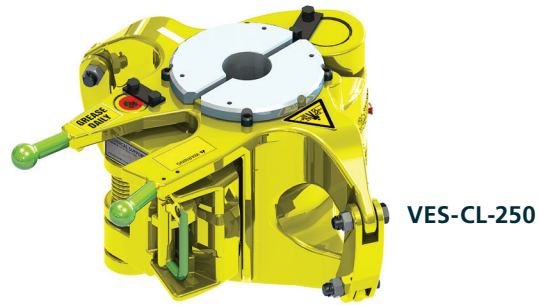
Manual Elevators

Description

FORUM CL / VES-CL (18° – 90°) and CLS (90°) Series Elevators are manually operated center latch elevators designed to handle pipe sizes from 2.3/8" – 9.5/8" and load ratings from 100 to 1250 ton.

Features

- Pipe sizes from 2.3/8" – 9.5/8"
- Capacities from 150 to 1250 ton
- Optionally available with wear bushing to minimize wear and to decrease the noise level
- Hydraulic version: See page 18



CL SERIES, 18° TAPER					
Type	Range	P/N	Load Rating	Weight	Link Size
CL-150/2	2.3/8" – 5.1/2"	611 520-Y-BC*	150 ton	165 kg (364 lbs)	150 – 350
CL-250	3.1/2" – 5.1/2"	612 540-Y-BC*	250 ton	255 kg (562 lbs)	250 – 500
CL-350	3.1/2" – 6.5/8"	613 540-Y-BC*	350 ton	326 kg (719 lbs)	250 – 500
CL-750	5" – 8.3/4"	617 500-Y-BC*	750 ton	1937 kg (4270 lbs)	750 – 1000
CL-1000	5" – 9.5/8"	611 000-Y-BC*	1000 ton	2313 kg (5100 lbs)	1000 – 1250
CL-1250	5" – 9.5/8"	612 500-Y-BC*	1250 ton	2041 kg (4500 lbs)	1000 – 1250

VES-CL					
Type	Range	P/N	Load Rating	Weight	Link Size
VES-CL-150	2.3/8" – 5.1/4"	611 900-Y**	150 ton	148 kg (326 lbs)	150 – 350
VES-CL-250	2.3/8" – 5.1/4"	612 900-Y**	250 ton	232 kg (511 lbs)	250 – 500
VES-CL-350	2.3/8" – 7"	613 000-Y**	350 ton	395 kg (871 lbs)	250 – 500
VES-CL-750	3.1/2" – 7"	617 500-Y**	750 ton	1835 kg (4045 lbs)	750 – 1000
VES-CL-1000	3.1/2" – 7"	611 000-Y**	1000 ton	2194 kg (4837 lbs)	1000 – 1250
VES-CL-1250	3.1/2" – 7"	612 500-Y**	1250 ton	2041 kg (4500 lbs)	1000 – 1250

VES-CL BUSHINGS***			
Type	P/N	Type	P/N
VES-CL-150/250	612 900-BC*	VES-CL-750	617 510-BC*
VES-CL-350/500	613 902-BC*	VES-CL-1000	611 030-BC*

WEAR BUSHINGS	
Type	P/N
CL-250/350/500	613 543-BC*
VES-CL-350/500	615 985-BC*

CLS SERIES					
Type	Range	P/N	Load Rating	Weight	Link Size
CLS-100/1	2.3/8" – 4.7/8"	621 100-Y-BC*	100 ton	90 kg (198 lbs)	150 – 350
CLS-150/2	4.7/8" – 7.1/2"	621 150-Y-BC*	150 ton	157 kg (345 lbs)	150 – 350
CLS-150/3	7.1/2" – 9.7/8"	621 155-Y-BC*	150 ton	187 kg (412 lbs)	150 – 350

Calculated sound pressure level: 82,5 dB(A)

*BC = Bore Code – see Page 90-92 column 1 **add -WB for Wear Bushing option ***VES-CL-1250 Bushings on request

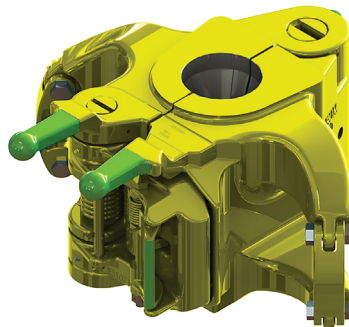
Manual Elevators

Description

FORUM A & G Series Elevators are manually operated center latch elevators designed to handle all 90° (A Series) and 18° (G Series) pipes. Pipe size ranges from 1" – 5.7/8" and load ratings from 65 up to 350 ton.

Features

- Link compatibility: 100 to 500 ton
- Latch with safety latch lock
- Optional interchangeable insert bushing style available for MGG & GG models
- Optional wear bushings available for MGG & GG models
- Engineered slim hole bores available for some models (G Series)



G SERIES ELEVATOR



G SERIES BUSHING

A SERIES, 90° TAPER					
Type	Range	P/N	Load Rating	Weight	Link Size
TA-65	1.1/4" – 1.66"	E32385-BC*	65 ton	54 kg (120 lbs)	100 – 250
TA-65	3.1/2" – 4.3/4"	E32386-BC*	65 ton	76 kg (167 lbs)	100 – 350
TA-100	2.3/8" – 2.7/8"	E32383-BC*	100 ton	66 kg (145 lbs)	100 – 250
TA-100	3.1/2" – 4.3/4"	E32384-BC*	100 ton	88 kg (193 lbs)	100 – 250
MRA	2.3/8" – 5.1/2"	E30158-BC*	150 ton	113 kg (249 lbs)	100 – 350
MAA	2.3/8" – 3.1/2"	E12526-BC*	175 ton	87 kg (192 lbs)	250 – 500

G SERIES, 18° TAPER					
Type	Range	P/N	Load Rating	Weight	Link Size
MG	2.3/8" – 5"	E30157-BC*	100 ton	117 kg (257 lbs)	100 – 350
RG-150	2.3/8" – 3.1/2"	E30156-Y-BC*	150 ton	142 kg (313 lbs)	100 – 350
RG-175	4" – 4.1/2"	E23540-BC*	175 ton	197 kg (435 lbs)	250 – 350
MGG	2.7/8" – 5.1/2"	E35005-BC**	250 ton	292 kg (643 lbs)	250 – 350
GG	3.1/2" – 5.7/8"	E31068-BC**	350 ton	366 kg (807 lbs)	250 – 350
MGG-IB	2.3/8" - 5"	E35005-IB**	250 ton	572 lbs [259 kg]	250 - 350
GG-IB	2.3/8" - 5"	E31068-IB**	350 ton	745 lbs [338 kg]	250 - 350

G SERIES WEAR BUSHINGS		
Type	Bushing ID (in.)	P/N
Wear Bushing f/ 118 Bore	3"	E200275-118
Wear Bushing f/ 119 & 120 Bores	3.5/8"	E200275-120
Wear Bushing f/ 121 Bore	4.1/8"	E200275-121
Wear Bushing f/ 122 & 5877 Bores	4.5/8"	E200275-122
Wear Bushing f/ 123 & 5876 Bores	5.1/8"	E200275-123
Wear Bushing f/ 124 Bore	5.5/8"	E200275-124
Wear Bushing f/ 5875 Bore	6"	E200275-5875
Wear Bushing f/ 5875 bore (8" OD)	6"	E200275-5875-1
Wear Bushing f/ 655 & 740 Bores	6.5/8"	E200275-740

MGG/GG		
Type	Range	P/N
MGG-IB	2 3/8" - 5"	E35000-BC*
GG-IB	2 3/8" - 5"	E31000-BC*

*BC = Bore Code – see Page 90-92 column 2 **add -WB for Wear Bushing option

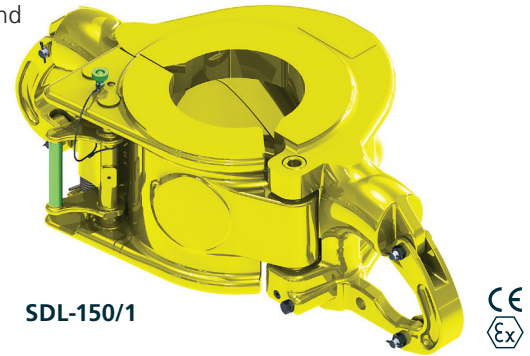
Side Door Elevators

Description

FORUM SDL / SDS Series Elevators are manually operated Side Door Elevators designed to handle all 90° connections including drill collars, collar type drill pipe, casing and tubing. Pipe size ranges from 2.3/8" – 42" and load ratings from 100 to 750 ton.

Features

- Link compatibility: 150 to 750 ton
- Latch with safety latch lock
- "Elevator closed" verification pin
- Safe area operating handles
- SDL series: Weight optimized; one hand operation



SDL-150/1



SDL / SDS SERIES – MANUALLY OPERATED					
Type	Range	P/N	Load Rating	Weight	Link Size
SDL-100	2.3/8" – 5.3/4"	651 010-Y-BC*	100 ton	82 kg (181 lbs)	150 – 500
SDL-150/1	4.3/8" – 8"	651 510-Y-BC*	150 ton	121 kg (267 lbs)	150 – 500
SDL-150/2	8" – 11"	651 520-Y-BC*	150 ton	145 kg (320 lbs)	150 – 500
SDL-150/3	11" – 14"	651 530-Y-BC*	150 ton	170 kg (375 lbs)	150 – 500
SDL-150/5	18" – 22"	651 550-Y-BC*	150 ton	310 kg (683 lbs)	150 – 500
SDS-150/7	24" – 30"	641 620-Y-BC*	150 ton	878 kg (1936 lbs)	150 – 500
SDS-250/0	6.1/2" – 9.5/8"	642 600-Y-BC*	250 ton	244 kg (538 lbs)	250 – 500
SDS-250/1	9.5/8" – 13.3/8"	642 500-Y-BC*	250 ton	283 kg (624 lbs)	250 – 500
SDS-250/2	13.3/8" – 18.5/8"	642 520-Y-BC*	250 ton	438 kg (966 lbs)	250 – 500
SDS-250/3	18.5/8" – 20"	642 540-Y-BC*	250 ton	416 kg (917 lbs)	250 – 500
SDS-250/5	24" – 30"	642 580-Y-BC*	250 ton	762 kg (1680 lbs)	250 – 500
SDS-250/6	30" – 36"	642 620-Y-BC*	250 ton	1195 kg (2635 lbs)	250 – 500
SDS-250/7	36.1/2" – 42"	642 630-Y-BC*	250 ton	2025 kg (4464 lbs)	250 – 500
SDS-350/1	6.5/8" – 9.3/4"	643 500-Y-BC*	350 ton	433 kg (955 lbs)	350 – 500
SDS-350/2	10.3/4" – 16.3/4"	643 520-Y-BC*	350 ton	662 kg (1459 lbs)	350 – 500
SDS-350/4	18.5/8" – 21.1/2"	643 560-Y-BC*	350 ton	712 kg (1570 lbs)	350 – 500
SDS-350/5	24" – 30"	643 580-Y-BC*	350 ton	1079 kg (2379 lbs)	350 – 500
SDS-350/6	30" – 36"	643 570-Y-BC*	350 ton	1052 kg (2320 lbs)	350 – 500
SDS-500	9.5/8" – 16"	645 500-Y-BC*	500 ton	1010 kg (2227 lbs)	350 – 500
SDS-750	9.5/8" – 16"	647 500-Y-BC*	750 ton	980 kg (2161 lbs)	500 – 750

Calculated sound pressure level: 82,5 dB(A)

SDL / SDS SERIES – HYDRAULICALLY OPERATED					
Type	Range	P/N	Load Rating	Weight	Link Size
SDL-150/2	8" – 11"	651 520-Y-BC*-H	150 ton	250 kg (551 lbs)	150 – 500
SDL-150/3	11" – 14"	651 530-Y-BC*-H	150 ton	270 kg (595 lbs)	150 – 500
vES-SDL-150/3	8.5/8" – 12.3/4"	651 530-Y-vES-H	150 ton	375 kg (827 lbs)	150 – 500
SDS-150/7	24" – 30"	641 620-Y-BC*-H	150 ton	1080 kg (2381 lbs)	150 – 500
SDS-250/1	9.5/8" – 13.3/8"	642 500-Y-BC*-H	250 ton	499 kg (1100 lbs)	250 – 500
SDS-250/3	18.5/8" – 20"	642 540-Y-BC*-H	250 ton	615 kg (1356 lbs)	250 – 500
SDS-350/4	18.5/8" – 21.1/2"	643 560-Y-BC*-H	350 ton	791 kg (1744 lbs)	250 – 500
vES-SDS-500	9.5/8" – 16"	645 570-Y-H	500 ton	975 kg (2150 lbs)	500 – 750

Calculated sound pressure level: 82,5 dB(A)

*BC = Bore Code – see Page 90-92 column 1

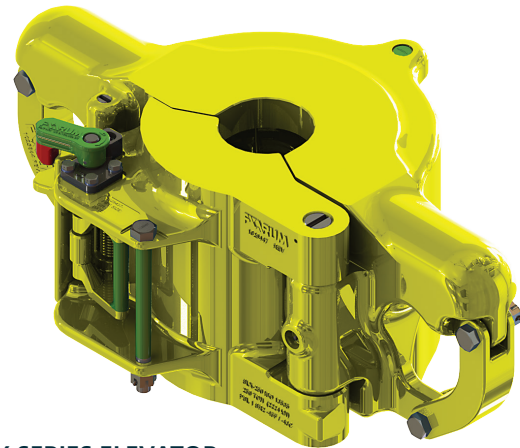
Side Door Elevators

Description

FORUM SLX Series Elevators are manually operated Side Door Elevators designed to handle all 90° connections including drill collars, collar type drill pipe, casing and tubing. Pipe size ranges from 4.1/2" – 26" and load ratings from 65 to 250 ton.

Features

- Link compatibility: 100 to 500 ton
- Latch with safety latch lock
- Manually operated secondary latch lock
- SLX-250 models are equipped with a patented manually operated rotary secondary latch lock
- Safe area operating handles
- Additional handle at the rear for safe and easy handling



SLX SERIES ELEVATOR

SLX-65				
Range	P/N	Load Rating	Weight	Link Size
5.1/2" – 8.5/8"	E38-067-BC*	65 ton	110 kg (243 lbs)	100 – 350
9" – 10.3/4"	E38-809-BC*	65 ton	120 kg (265 lbs)	100 – 350
11" – 14.1/4"	E38-137-BC*	65 ton	156 kg (344 lbs)	100 – 350

SLX-150				
Range	P/N	Load Rating	Weight	Link Size
5.1/2" – 8.5/8"	E31239-BC*	150 ton	147 kg (324 lbs)	100 – 500
9.5/8" – 10.3/4"	E33950-BC*	150 ton	162 kg (358 lbs)	100 – 500
11.3/4" – 14"	E33982-BC*	150 ton	268 kg (591 lbs)	100 – 500
16" – 20"	E33632-BC*	150 ton	418 kg (921 lbs)	100 – 500

SLX-250				
Range	P/N	Load Rating	Weight	Link Size
4.1/2" – 9.5/8"	1029437-BC*	250 ton	245 kg (539 lbs)	250 – 500
9.5/8" – 14"	1033575-BC*	250 ton	329 kg (725 lbs)	250 – 500
14" – 20"	1035817-BC*	250 ton	467 kg (1030 lbs)	250 – 500
20" – 26"	1045253-BC*	250 ton	597 kg (1317 lbs)	250 – 500

*BC = Bore Code – see Page 90-92 column 2

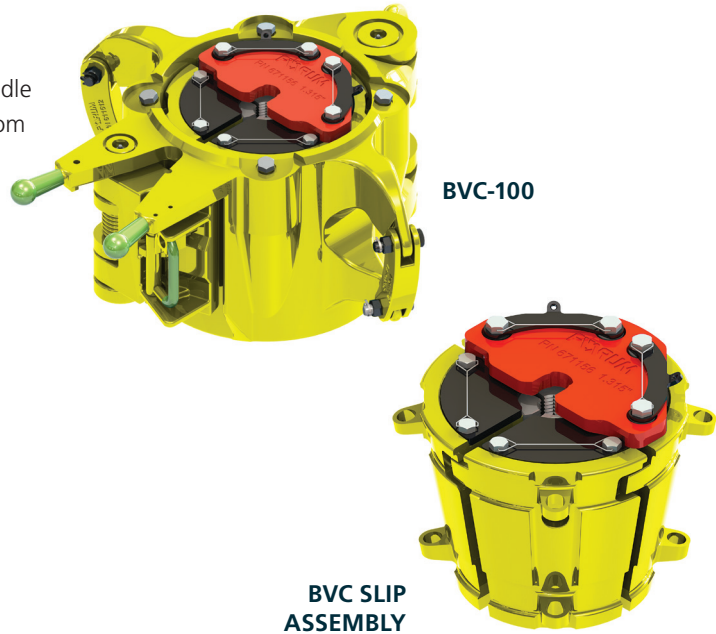
Slip Type Elevators

Description

FORUM BVC / BVT Series Slip Type Elevators are manually operated, center latch, slip type elevators designed to handle upset or collar type casing and tubing. Pipe size ranges from 1.315" – 7.3/4" and load ratings from 75 to 200 ton.

Features

- Pipe sizes from 1.315" up to 7.3/4"
- Capacities from 75 to 200 ton
- Optionally available with Remote Slip Setting (RSS)
- Latch with safety latch lock
- 4-slip design
- Safe area operating handles



BVC / BVT SERIES						
Type	Range	P/N	Load Rating	Weight	Link Size	
BCT-75	1.315" – 3.1/2"	670 700-Y	75 ton	185 kg (408 lbs)	150 – 350	
BVC-75	1.315" – 7"	670 720-Y	75 ton	203 kg (447.5 lbs)	150 – 350	
BVT-100	1.315" – 3.1/2"	671 000-Y	100 ton	188 kg (414.5 lbs)	150 – 350	
BVC-100	1.315" – 7"	671 100-Y	100 ton	200 kg (441 lbs)	150 – 350	
BVC-125	1.315" – 7"	671 200-Y	125 ton	353 kg (778.2 lbs)	150 – 500	
BVC-150	1.315" – 7"	671 500-Y	150 ton	352 kg (776 lbs)	150 – 500	
BVC-200	2.3/8" – 7.3/4"	672 000-Y	200 ton	520 kg (1146.4 lbs)	150 – 500	

Calculated sound pressure level: 82.5 dB(A)

BVC SERIES WITH REMOTE SLIP SET						
Type	Range	P/N	Load Rating	Weight	Link Size	
BVC-75-RSS	1.315" – 7"	670 720-Y-RSS	75 ton	214 kg (472 lbs)	150 – 350	
BVC-100-RSS	1.315" – 7"	671 100-Y-RSS	100 ton	202 kg (445 lbs)	150 – 350	
BVC-125-RSS 1	1.315" – 7"	671 200-Y-RSS	125 ton	354 kg (780 lbs)	150 – 500	
BVC-150-RSS	1.315" – 7"	671 500-Y-RSS	150 ton	353 kg (778.2 lbs)	150 – 500	
BVC-200-RSS	2.3/8" – 7.3/4"	672 000-Y-RSS	200 ton	967 kg (2132 lbs)	150 – 500	

Calculated sound pressure level: 82.5 dB(A)

BVC SLIPS (INCLUDING SETTING RING AND INSERTS)							
Type	Rated Capacity	1.315"	1.66"	.9"	2" & 2.1/16"	2.3/8"	2.7/8"
BVT	75 – 100 ton	671 028	671 029	671 030	671 031	671 032	671 033
BVC/ABVC	75 – 150 ton	671 168	671 169	671 170	671 171	671 172	671 173
BVC/ABVC	200 ton	n/a	n/a	n/a	n/a	672 172	672 173

Type	3.1/2"	4"	4.1/2"	5"	5.1/2"	6.5/8"	7"	7.5/8"	7.3/4"
BVT	671 034	n/a	n/a	n/a	n/a	n/a	n/a	n/a	n/a
BVC/ABVC	671 134	671 135	671 136	671 137	671 138	671 139	671 140	n/a	n/a
BVC/ABVC	672 134	672 135	672 136	672 137	672 138	672 139	672 140	672 175	672 176

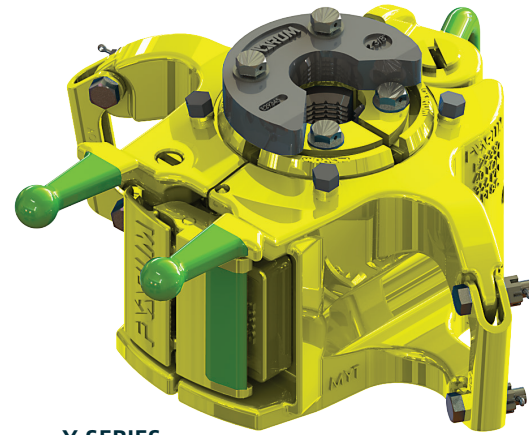
Slip Type Elevators

Description

FORUM Y Series Slip Type Elevators are manually operated, center latch, slip type elevators designed to handle upset or collar type casing and tubing. Pipe size ranges from 3/4" – 7.5/8" and load ratings from 20 to 200 ton.

Features

- Link compatibility: 100 to 500 ton
- Latch with safety latch lock
- 4-slip design
- Safe area operating handles
- Additional handle at the rear for safety and maneuverability



**Y-SERIES
ELEVATOR**

SLIP TYPE ELEVATORS						
Type	Range	P/N	Load Rating	Weight	Link Size	
LYT	3/4" (1.05") - 2.1/16"	E28750	20 ton	27 kg (60 lbs)	100	
MYT	3/4" (1.05") - 2.7/8"	E29328	40 ton	74 kg (164 lbs)	100 – 350	
YT	1" (1.315") - 3.1/2"	E23105	75 ton	171 kg (377 lbs)	100 – 250	
HYT	2.3/8" – 3.1/2"	E39284	150 ton	268 kg (591 lbs)	100 – 500	
YC	3.1/2" – 7"	E24140	75 ton	205 kg (452 lbs)	100 – 250	
HYC	3.1/2" – 7.3/4"	E55310	200 ton	474 kg (1044 lbs)	250 – 500	

Y SERIES SLIPS (INCLUDING SETTING RING AND INSERTS)						
Type	Rated Capacity	3/4" (1.050")	1" (1.315")	1 1/4" (1.660")	1 1/2" (1.900")	2" - 2 1/16"
LYT	20 ton	E28745-7	E28745-2	E28745-3	E28745-4	E28745-6

Type	Rated Capacity	3/4" (1.050")	1" (1.315")	1 1/4" (1.660")	1 1/2" (1.900")	2" - 2 1/16"	2.1/6"	2.3/8"	2.7/8"
MYT	40 ton	E29343-8	E29343-7	E29343-6	E29343-5	E29343-4	E29343-3	E29343-2	E29343-1
YT	75 ton		E23108-11	E23108-10	E23108-9	E23108-8	E23108-7	E23108-6	E23108-3 / E23108-4
HYT	150 ton							E39259-4	E39259-2 / E39258-4

Type	Rated Capacity	3.1/2"	4"	4.1/2"	5"	5.1/2"	6.5/8"	7"	7.5/8"	7.3/4"
YT	75 ton	E23108-5								
HYT	150 ton	E39258-2								
YC	75 ton	E34931	E26830	E24072-5	E24072-7	E24072-2	E24077-7	E24077-1		
HYC	200 ton	E55509	E55510	E55511 / E55512-4	E55512	E55513	E55514	E55515 / E70008	E70009	E70014

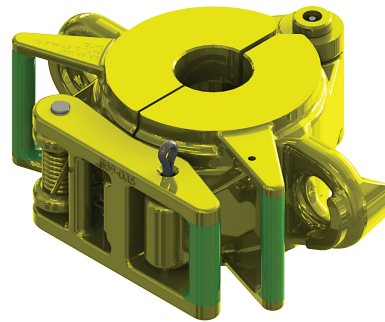
Single Joint Elevators

Description

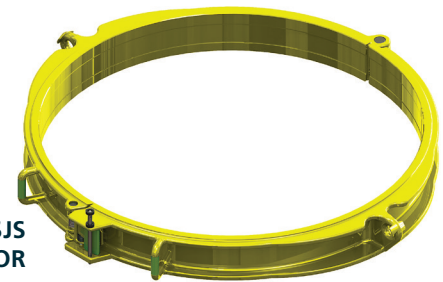
FORUM Single Joint Elevators are manually operated, Center Latch Elevators designed to handle all 18° type Drill Pipe and 90° connections including Drill Collars, Collar Type Drill Pipe, Casing and Tubing. Pipe size ranges from 2.3/8" – 42" and a Load Rating of 2.5 up to 10 ton.

Features

- Manually operated
- Capacities from 2.5 up to 10 ton
- Pipe range from 2.3/8" up to 42"
- Safe area operating handles
- Latch with safety latch lock
- "Elevator closed" verification pin



**SJ SERIES
ELEVATOR**



**SJS
ELEVATOR**



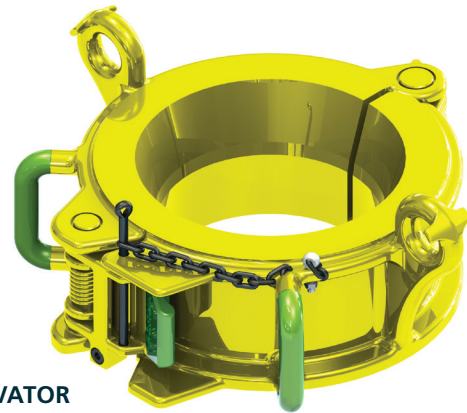
SJS SERIES							
Type	Range	P/N	Load Rating	Weight	1,5 m Swivel P/N	1,7 m Swivel P/N	3 m Swivel P/N
SJS-5/3	6.1/2" – 9.5/8"	660 500-Y-BC*	5 ton	30 kg (66 lbs)	660 517	660 512	660 513
SJS-5/4	9.5/8" – 12.3/4"	660 520-Y-BC*	5 ton	38 kg (84 lbs)	660 517	660 512	660 513
SJS-5/5	13" – 16"	660 540-Y-BC*	5 ton	56 kg (123 lbs)	660 517	660 512	660 513
SJS-6/6	16.3/4" – 20"	660 600-Y-BC*	6 ton	66 kg (146 lbs)	660 517	660612-2	660 614
SJS-6/8	22" – 30"	660 640-Y-BC*	6 ton	155 kg (342 lbs)	660 517	660612-2	660 614
SJS-6/9	30" – 36"	660 660-Y-BC*	6 ton	156 kg (344 lbs)	660 517	660612-2	660 614
SJS-6/10	36" – 42"	660 680-Y-BC*	6 ton	178 kg (393 lbs)	660 517	660 614	660 614

SJ SERIES						
Range	P/N	Load Rating	Weight	Swivel P/N	Notes	
2.3/8" – 5.1/2"	E39-039-BC**	5 ton	26 kg (58 lbs)	E34568		
2.3/8" – 5.1/2"	E39-039-01-BC**	5 ton	6 kg (58 lbs)	E34568	New Latch Lock	
5.3/4" – 7.5/8"	E39-040-BC**	5 ton	33 kg (73 lbs)	E34568		
8" – 10.3/4"	E39-041-BC**	5 ton	40 kg (89 lbs)	E34568		
10.3/4" – 13.3/8"	E39-042-BC**	5 ton	59 kg (130 lbs)	E34568		
14" – 20"	E39-043-BC**	5 ton	115 kg (253 lbs)	E34568		
14" – 20"	E39-143-BC**	10 ton	115 kg (253 lbs)	E34568-10		
2.3/8" – 3.1/2"	E39-200-BC**	5 ton	19 kg (42 lbs)	E34568		
4" – 5.3/4"	E39-210-BC**	5 ton	25 kg (56 lbs)	E34568		

* BC = Bore Code - See Page 90-92 column 1

** BC = Bore Code - See Page 90-92 column 2

Single Joint Elevators



SJD ELEVATOR

SJ SERIES					
Type	Range	P/N	Load Rating	Weight	P/N Swivel
SJ-2/5	2.3/8" – 5.1/2"	650 200-Y	2,5 ton	19 kg (42 lbs)	650 312
SJ-3/1	3.1/2" – 7.3/4"	650 300-Y	3 ton	25 kg (55 lbs)	650 312

LSJ SERIES						
Type	Range	P/N	Load Rating	Weight	1,7 m Swivel P/N	3 m Swivel P/N
LSJ-4/2	2.3/8" – 5.3/4"	660 440-Y-BC*	4 ton	18 kg (40 lbs)	660 412	660 415

SJD SERIES					
Type	Range	P/N	Load Rating	Weight	Swivel P/N
SJD	2.7/8" – 5.7/8"	650 360-Y-BC*	6 ton	29 kg (64 lbs)	660 612-2
SJD	6.1/4" – 9"	650 380-Y-BC*	6 ton	40 kg (88 lbs)	660 612-2

Calculated sound pressure level: 82,5 dB(A)

SJ-2/5 – SLIP ASSEMBLY				
Range	Load Rating	5° TBG P/N	12° TBG P/N	18° DP P/N
2.3/8"	2 ton	650 209	650 230	650 219
2.7/8"	2 ton	650 210	650 231	650 220
3.1/2"	2 ton	650 211	650 232	650 221
4"	2 ton	650 212	650 233	650 222
4.1/2"	2 ton	650 213	650 234	650 223
5"	2 ton	650 214		
5.1/2"	2 ton	650 215		
5.7/8"				
6.5/8"				
7"				
7.5/8"				
7.3/4"				

SJ-3/1 – SLIP ASSEMBLY			
Load Rating	5° TBG P/N	12° TBG P/N	18° DP P/N
3 ton		650 418	
3 ton		650 419	
3 ton		650 420	650 411
3 ton			650 412
3 ton	650 319	650 421	650 413
3 ton	650 316		650 414
3 ton	650 317	650 425	650 415
3 ton		650 422	650 417
3 ton	650 313		650 416
3 ton	650 314		
3 ton	650 315		
3 ton	650 311		

* BC = Bore Code - See Page 90-92 column 1

Tubing Spider

Description

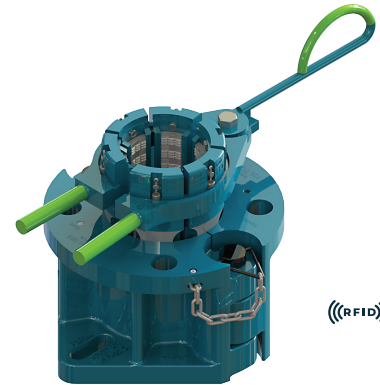
FORUM TS-100 Tubing Spiders are manually operated spiders for use with tubing and casing. Pipe size ranges from 1" – 5.3/4" and load rated for 100 ton.

Features

- Standard API 4" TPF
- Uses standard DU inserts (4.1/2" and 5.1/2" only)
- Removable hinge pin for easy installation



3.1/2" TS-100



4.1/2" TS-100

(((RFID)))

TS-100 SPIDERS				
Type	Size	P/N	Weight	Load Rating
TS-100 Tubing Spider	3.1/2"	17-302-X	93 kg (206 lbs)	100 ton
TS-100 Tubing Spider	4.1/2"	18-451-X	93 kg (206 lbs)	100 ton
TS-100 Tubing Spider	5.1/2"	18-551-X	101 kg (222 lbs)	100 ton

TS-100 SLIPS					
Type	Size	P/N	Weight	Load Rating	Notes
TS-100 Slip Assembly less Inserts	3.1/2"	17-301-X	23 kg (51 lbs)	100 ton	3.1/2" TS-100 Slip Sets require 9 Inserts
TS-100 Slip Assembly less Inserts	4.1/2"	18-452-X	27 kg (60 lbs)	100 ton	Use 4.1/2" DU Inserts (12 Inserts required)
TS-100 Slip Assembly less Inserts	5.1/2"	18-552-X	32 kg (70 lbs)	100 ton	Use 5.1/2" DU Inserts (12 Inserts required)
TS-100 Slip Assembly less Inserts	5.3/4"	18-522-S-X	31 kg (69 lbs)	100 ton	Use 5.1/2" DU Inserts (12 Inserts required)

TS-100 3.1/2" SLIP INSERTS		
Size	P/N	Weight per Set
3.1/2"	21-101	4 kg (8 lbs)
3.3/8"	21-110	4 kg (9 lbs)
3.1/8"	21-102	5 kg (11 lbs)
2.7/8"	21-103	6 kg (13 lbs)
2.3/8"	21-104	8 kg (17 lbs)
2.1/16"	21-105	9 kg (19 lbs)
2"	21-111	9 kg (19 lbs)
1.1/2"	21-106	9 kg (20 lbs)
1.1/4"	21-107	10 kg (21 lbs)
1"	21-108	10 kg (23 lbs)
3/4"	21-109	11 kg (24 lbs)
3"	21-116	27 kg (12 lbs)
3.1/4"	21-118	5 kg (10 lbs)
1.3/4"	21-119	8 kg (18 lbs)
1.13/16"	21-115	10 kg (21 lbs)
1.9/16"	21-114	10 kg (22 lbs)
3.1/16"	21-112	5 kg (12 lbs)
2.5/8"	21-113	7 kg (15 lbs)

TS-100 5.3/4" SLIP INSERTS		
Size	P/N	Weight per Set
5.1/2" x 5.3/4"	03-241	4 kg (9.5 lbs)

Control Panels

Description

FORUM Multi-Control Panels can be used to operate hydraulic elevators, BackSaver® and most power slips. The Multi-Control Panel is designed to enhance safety during rig floor operations that require the use of slips and elevators by reducing the number of personnel required on the floor.

Features

- Onboard filtration
- Integrated HPU available
- Lockout system available to prevent opening the elevator before the slips are set
- Integrated lifting points
- Cover to protect controls when not in use



CONTROL UNIT

CONTROL PANELS					
P/N	HPU Equipped	Operates hydraulic Backsavers	Operates XP-1000 Elevator	Operates Trigger Elevator	Weight
E100270		✓	✓	✓	174 kg (383 lbs)
E100270-01		✓	✓		165 kg (363 lbs)
E100270-02	✓	✓		✓	389 kg (858 lbs)
E100270-03	✓	✓	✓		383 kg (845 lbs)

Elevator / Spider

Description

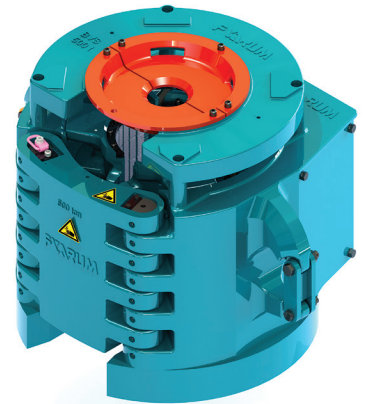
FORUM Casing Elevator/Spiders are pneumatically and hydraulically operated power tools or manually operated units. The Casing Elevator/Spider is a tool designed for lifting and supporting tubulars, from light tubing to heavy wall casing. Pipe size ranges from 2.3/8" – 24.1/2" and load ratings from 250 up to 1000 ton.

Features

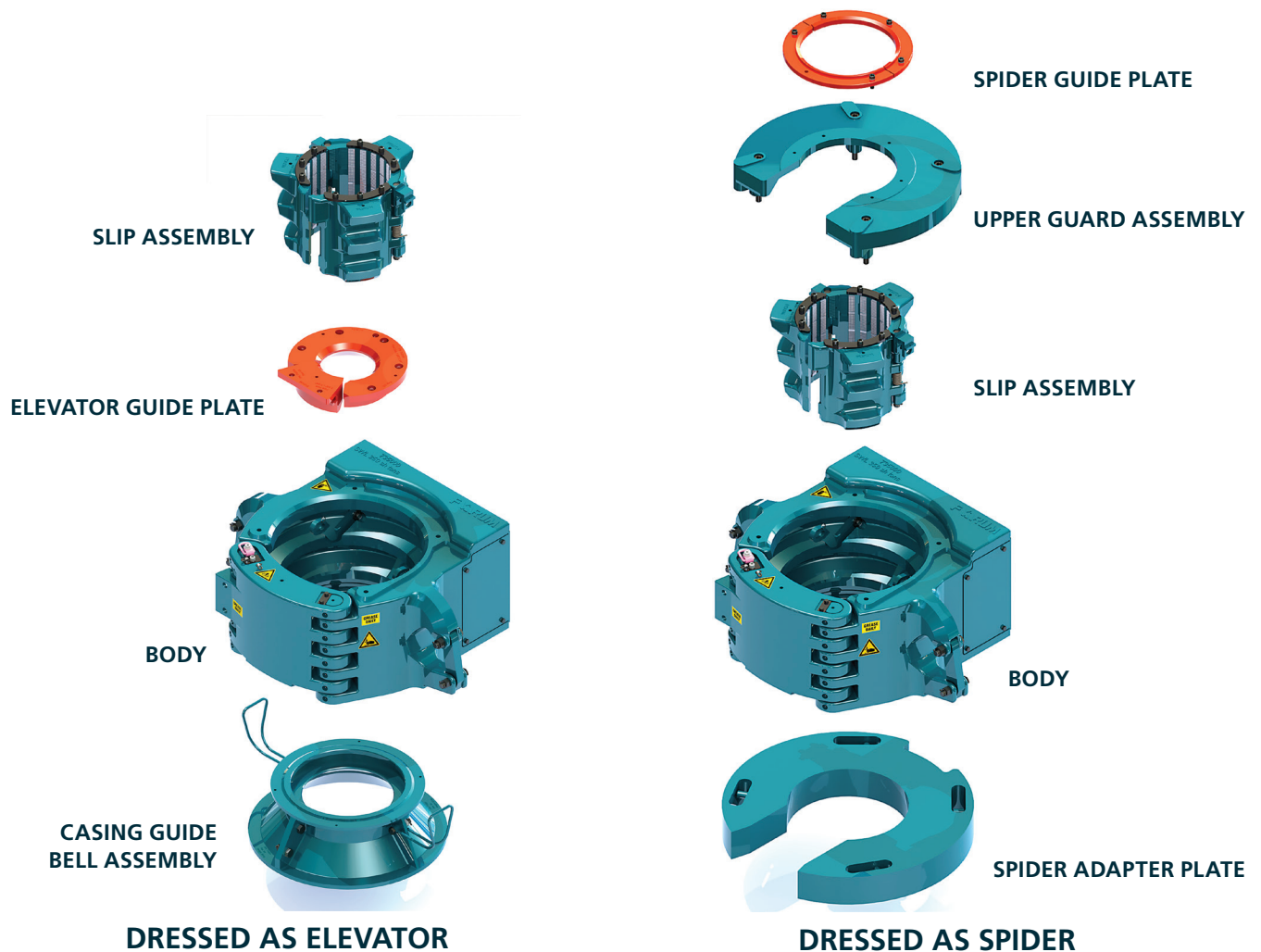
- Link compatibility: 250 – 1250 ton
- Can be used as elevator or spider
- Manual lifting of Slips possible in case of power loss
- Load rating for lower ear available for V-350 / V-500 models



B-500/1 ELEVATOR

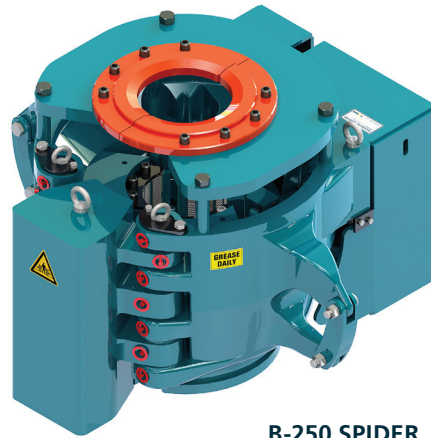


B-500/1 SPIDER



Calculated sound pressure level: 82,5 dB(A)

Elevator / Spider



B-250 SPIDER



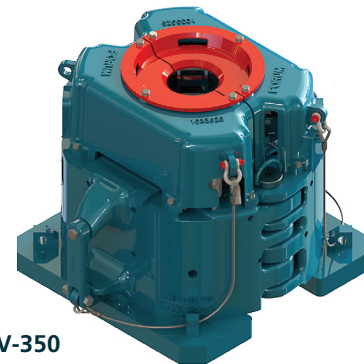
B-250					
Type	Range	P/N	Load Rating	Weight	Link Size
B-250 Air	2.3/8" – 7.5/8"	725 001-Y	250 ton	1080 kg (2381 lbs)	250 – 350
B-250 Man	2.3/8" – 7.5/8"	725 000-Y	250 ton	1170 kg (2580 lbs)	250 – 350

SLIP ASSEMBLIES					
API Pipe Size	Slip Body Size	Slip Assembly c/w Inserts	Guide Plate Elevator	Guide Plate Spider	Load Rating
2.3/8"	3.1/2"	725 325-X	725 940	725 920	250 ton
2.7/8"		725 330-X	725 940	725 920	
3.1/2"		725 355-X	725 941	725 921	
3.1/2"	4.1/2"	725 340-X	725 941	725 921	250 ton
4"		725 350-X	725 941	725 921	
4.1/2"		725 360-X	725 942	725 922	
4.1/2"	5.1/2"	725 375-X	725 942	725 922	250 ton
5"		725 385-X	725 943	725 923	
5.1/2"		725 365-X	725 943	725 923	
6.5/8"	7.5/8"	725 390-X	725 944	725 924	250 ton
7"		725 380-X	725 944	725 924	
7.5/8"		725 370-X	725 945	725 925	
7.3/4"		725 395-X	725 945	725 925	

ACCESSORIES FOR ELEVATOR	
Type	P/N
Casing Guide Bell	725 280
Air Hose 52"	752 822

ACCESSORIES FOR SPIDER	
Type	P/N
Upper Guard	725 150
Spider Adapter Plate	725 500
Air Hose 26"	752 823

Elevator / Spider



V-350

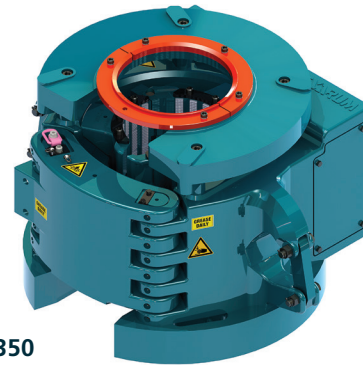


V-350						
Type	Range	P/N	Load Rating	Load Rating – Lower Ears	Weight	Link Size
V-350	4.1/2" – 14"	ES11776	350 ton	15 ton	1562 kg (3443 lbs)	250 – 500

SLIP ASSEMBLIES					
Casing	Size Slip Body	Size Slip Set P/N (w/ Inserts)	Spider Guide Plate Assembly P/N	Elevator Guide Plate Assembly P/N	Load Rating
4.1/2"	5.1/2"	ES11865	ES18419-1	ES11787	350 ton
5"		ES11864	ES18419-2	ES11788	
5.1/2"		ES11863	ES18419-3	ES11789	
6.5/8"	7.5/8"	ES11861	ES18419-4	ES11791	350 ton
7"		ES11860	ES18419-4	ES11791	
7.5/8"		ES11859	ES18419-5	ES11792	
7.3/4"		ES71592-1	ES18419-5	ES11792	
8.5/8"	9.5/8"	ES11857	ES18419-6	ES11793	350 ton
8.3/4"		ES71591-3	ES18419-6	ES11793	
9.5/8"		ES11856	ES18419-7	ES11794	
9.3/4"		ES71591-2	ES18419-15	ES71231	
9.7/8"		ES71591-1	ES18419-15	ES71231	
10.3/4"	11.3/4"	ES11854	ES18419-8	ES11795	350 ton
10.7/8"		ES71590-1	ES18419-8	ES11795	
11.3/4"		ES11853	ES18419-9	ES11796	
11.7/8"		ES71590-2	ES18419-9	ES11796	
12.3/4"	14"	ES70732-5	1035435-2	ES71229	350 ton
13.3/8"		ES70732-4	ES18419-10	ES11797	
13.1/2"		ES70732-3	ES18419-12	ES71228	
13.5/8"		ES70732-2	ES18419-12	ES71228	
14"		ES70732-1	ES18419-11	ES15939	

ACCESSORIES FOR 4.1/2" – 14" 350 TON ELEVATOR SPIDER	
Description	P/N
Airline and Filter Assembly	ES11881
Guide Bell Assembly, Elevator	ES11798
Spider Adapter Plate	ES19276
Shackle kit (for SJE attachment)	1047383

Elevator / Spider



B-350



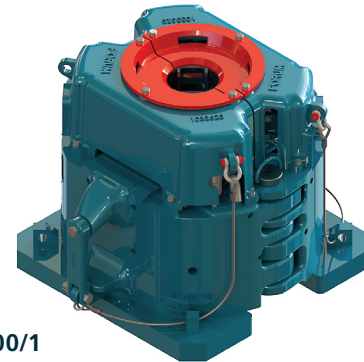
B-350					
Type	Range	P/N	Load Rating	Weight	Link Size
B-350 Air	4.1/2" – 14"	735 001-Y	350 ton	1751 kg (3860 lbs)	250 – 350
B-350 Man	4.1/2" – 14"	735 000-Y	350 ton	1751 kg (3860 lbs)	250 – 350

SLIP ASSEMBLIES					
API Pipe Size	Slip Body Size	Slip Assembly c/w Inserts	Guide Plate Elevator	Guide Plate Spider	Load Rating
4.1/2"	5.1/2"	735 560-X	752 550	81138762	200 ton
5"		735 550-X	752 551	8ES18419-2	
5.1/2"		735 540-X	752 552	8ES18419-3	
6.5/8"	7.5/8"	735 530-2-X	752 553	8ES18419-4	350 ton
7"		735 500-2-X	752 553	8ES18419-4	
7.5/8"		735 490-2-X	752 554	8ES18419-5	
7.3/4"		735 485-2-X	752 554	8ES18419-5	
8.5/8"	9.5/8"	735 460-2-X	752 555	81138764	350 ton
9.5/8"		735 450-2-X	752 556	81138794	
9.5/8"	10.3/4"	735 445-2-X	752 556	81138794	350 ton
9.7/8"		735 440-2-X	752 557	81138797	
10.3/4"		735 430-2-X	752 558	81138740	
10.3/4"	11.3/4"	735 435-X	752 558	81138740	350 ton
11.3/4"		735 455-X	752 559	81138799	
11.7/8"		735 465-X	752 559	81138799	
12.3/4"	14"	735 375-2-X	752 560	81138802	350 ton
13.3/8"		735 380-2-X	752 561	81138741	
13.5/8"		735 385-2-X	752 561	81138741	
14"		735 390-2-X	752 562	81138806	

ACCESSORIES FOR ELEVATOR	
Type	P/N
Casing Guide Bell	710 550
Air Hose 52.1/2"	752 822

ACCESSORIES FOR SPIDER	
Type	P/N
Upper Guard	735 710
Spider Adapter Plate (for 37.1/2" RT)	752 765-1
Air Hose 26"	752 823

Elevator / Spider



V-500/1

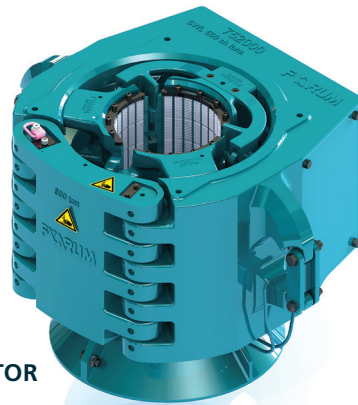


V-500/1						
Type	Range	P/N	Load Rating	Load Rating – Lower Ears	Weight	Link Size
V-500/1	4.1/2" – 14"	ES13800Y	500 ton	15 ton	2242 kg (4942 lbs)	500 – 1250

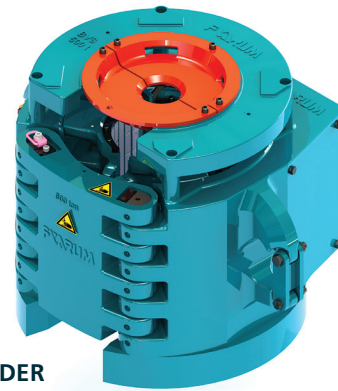
SLIP ASSEMBLIES					
Casing Size	Slip Body Size	Slip Set P/N (w/ Inserts)	Spider Guide Plate Assembly P/N	Elevator Guide Plate Assembly P/N	Load Rating
4.1/2"	5.1/2"	ES13842Y3	ES18419-1	ES11787	500 ton
5"		ES13842Y2	ES18419-2	ES11788	
5.1/2"		ES13842Y1	ES18419-3	ES11789	
6.5/8"	7.5/8"	ES13841Y3	ES18419-4	ES11791	500 ton
7"		ES13841Y2	ES18419-4	ES11791	
7.5/8"		ES13841Y1	ES18419-5	ES11792	
7.3/4"		ES13841Y4	ES18419-5	ES11792	
8.5/8"	9.5/8"	ES13840Y3	ES18419-6	ES11793	500 ton
8.3/4"		ES13840Y5	ES18419-6	ES11793	
9.5/8"		ES13840Y1	ES18419-7	ES11794	
9.3/4"		ES13840Y4	ES18419-15	ES71231	
9.7/8"		ES13840Y2	ES18419-15	ES71231	
10.3/4"	11.3/4"	ES13839Y3	ES18419-8	ES11795	500 ton
10.7/8"		ES13839Y4	ES18419-8	ES11795	
11.3/4"		ES13839Y2	ES18419-9	ES11796	
11.7/8"		ES13839Y1	ES18419-9	ES11796	
12.3/4"	14"	ES70734Y7	1035435-2	ES71229	500 ton
13.3/8"		ES70734Y5	ES18419-10	ES11797	
13.1/2"		ES70734Y4	ES18419-12	ES71228	
13.5/8"		ES70734Y3	ES18419-12	ES71228	
14"		ES70734Y1	ES18419-11	ES15939	

ACCESSORIES FOR 4.1/2" – 14" 500 TON ELEVATOR SPIDER	
Description	P/N
Airline and Filter Assembly	ES11881
Guide Bell Assembly, Elevator	ES11798
Spider Adapter Plate	ES19276
Shackle kit (for SJE attachment)	1047383

Elevator / Spider



B-500/1 ELEVATOR



B-500/1 SPIDER



B-500/1					
Type	Range	P/N	Load Rating	Weight	Link Size
B-500/1 Air	4.1/2" – 14"	752 001-Y 5	500 ton	2195 kg (4840 lbs)	500 – 750
B-500/1 Hydr.	4.1/2" – 14"	752 000-Y-H	500 ton	2093 kg (4615 lbs)	500 – 750
B-500/1 Hydr. VC Control	4.1/2" – 14"	752 000-Y-H -VC	500 ton	2093 kg (4615 lbs)	500 – 750

SLIP ASSEMBLIES					
API Pipe Size	Slip Body Size	Slip Assembly c/w Inserts	Guide Plate Elevator	Guide Plate Spider	Load Rating
4.1/2"		752 510-X	752 550	81138762	
5"	5.1/2"	752 500-X	752 551	8ES18419-2	350 ton
5.1/2"		752 490-X	752 552	8ES18419-3	
6.5/8"		752 480-2-X	752 553	8ES18419-4	
7"	7.5/8"	752 470-2-X	752 553	8ES18419-4	500 ton
7.5/8"		752 460-2-X	752 554	8ES18419-5	
7.3/4"		752 465-2-X	752 554	8ES18419-5	
8.5/8"	9.5/8"	752 450-2-X	752 555	81138764	500 ton
9.5/8"		752 440-2-X	752 556	81138794	
9.5/8"		752 360-2-X	752 556	81138794	
9.7/8"	10.3/4"	752 370-2-X	752 557	81138797	500 ton
10.3/4"		752 350-2-X	752 558	81138740	
10.3/4"		752 430-X	752 558	81138740	
11.3/4"	11.3/4"	752 420-X	752 559	81138799	500 ton
11.7/8"		752 535-X	752 559	81138799	
12.3/4"		752 375-2-X	752 560	81138802	
13.3/8"	14"	752 380-2-X	752 561	81138741	500 ton
13.5/8"		752 385-2-X	752 561	81138741	
14"		752 390-2-X	752 562	81138806	

ACCESSORIES FOR ELEVATOR	
Type	P/N
Casing Guide Bell	710 550
Air Hose 52.1/2"	752 822
Hydr. Hose 52.1/2"	710 082

ACCESSORIES FOR SPIDER	
Type	P/N
Upper Guard	752 780
Spider Adapter Plate (for 37.1/2" RT)	752 765-1
Air Hose 26"	752 823
Hydr. Hose 26"	710 083

Elevator / Spider



V-500/2



V-500/2	Type	Range	P/N	Load Rating	Load Rating – Lower Ears	Weight	Link Size
V-500/2		16" – 24.1/2"	ES15740Y	500 ton	15 ton	3708 kg (8174 lbs)	500 – 1250

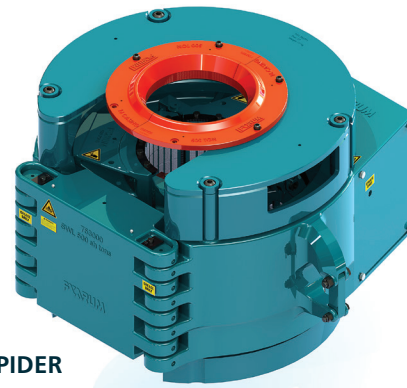
SLIP ASSEMBLIES					
Casing Size	Slip Body Size	Slip Set P/N (w/ Inserts)	Spider Guide Plate Assembly P/N	Elevator Guide Plate Assembly P/N	Load Rating
16"	16"	ES15790Y4	ES73138	ES16184	500 ton
17"	17"	ES15790Y7	ES50006198	ES50006199	500 ton
18"	18.5/8"	ES15790Y6	ES71139-6	ES15794-6	500 ton
18.5/8"		ES15790Y3	ES73137	ES15794	
18.5/8"	20"	ES15790Y26	ES73137	ES15794	500 ton
20"		ES15790Y2	ES73136	ES15793	
22"	22"	ES15790Y5	ES50006074	ES50006055	500 ton
24"	24"	ES15790Y1	ES73135	ES15792	500 ton
24.1/2"	24.1/2"	ES75226Y1	ES74817	ES74818	500 ton

ACCESSORIES FOR 16" – 24.1/2" 500 TON ELEVATOR SPIDER	
Description	P/N
Airline and Filter Assembly	ES11881
Guide Bell Assembly, Elevator	ES19001
Spider Adapter Plate	ES16552
Shackle kit (for SJE attachment)	1047383

Elevator / Spider



B-500/2 ELEVATOR



B-500/2 SPIDER



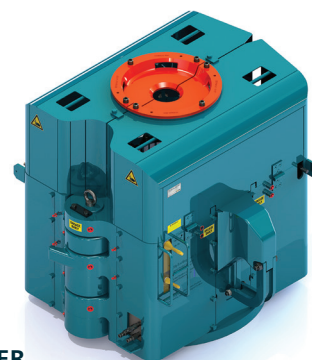
B-500/2					
Type	Range	P/N	Load Rating	Weight Link	Size
B-500/2 Air	14" – 24.1/2"	753 001-Y	500 ton	3611 kg (7960 lbs)	500 – 750
B-500/2 Hydr.	14" – 24.1/2"	753 000-Y-H	500 ton	3611 kg (7960 lbs)	500 – 750
B-500/2 Hydr. VC Control	14" – 24.1/2"	753 000-Y-H-VC	500 ton	3611 kg (7960 lbs)	500 – 750

SLIP ASSEMBLIES					
API Pipe Size	Slip Body Size	Slip Assembly c/w Inserts	Guide Plate Elevator	Guide Plate Spider	Load Rating
12.3/4"	14"	753 400-X	753 950	81138842	500 ton
13.3/8"		753 410-X	753 951	81138850	
13.5/8"		753 420-X	753 951	81138850	
14"		753 430-X	753 952	81138851	
14.3/8"	15"	753 445-X	753 953	753 728	500 ton
14.3/4"	16"	753 415-X	753 953	753 728	500 ton
16"		753 440-X	753 954	8ES73138	
16.3/4"	18"	753 465-X	753 466	753 467	500 ton
17"		753 475-X	753 955	753775-1	
18"		753 455-X	753 956	8ES71139-6	
18.5/8"	20"	753 450-X	753 957	8ES73137	500 ton
20"		753 460-X	753 958	81138832	
22"	22"	753 470-X	753 959	81138853	500 ton
24"	24"	753 480-X	753 960	8ES73135	500 ton
24"	24.1/2"	753 495-X	753 960	8ES74817	500 ton
24.1/2"		753 490-X	753 960	8ES74817	

ACCESSORIES FOR ELEVATOR	
Type	P/N
Casing Guide Bell	712 500
Air Hose 52.1/2"	752 822
Hydr. Hose 52.1/2"	710 082

ACCESSORIES FOR SPIDER	
Type	P/N
Upper Guard	753 770
Spider Adapter Plate (for 49.1/2" RT)	753 765
Air Hose 26"	752 823
Hydr. Hose 26"	710083

Elevator / Spider



B-750/1 SPIDER



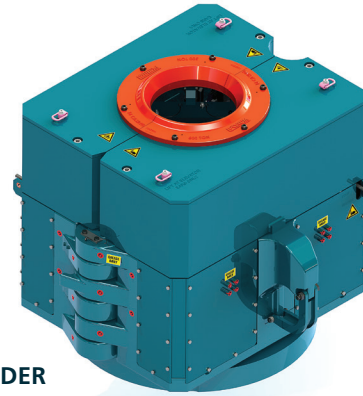
B-750/1 / B-1000/1						
Type	Range	P/N	Load Rating	Weight	Link Size	
B-750/1 Air	4.1/2" – 14"	7100 00-Y-A	750 ton	4550 kg (10031 lbs)	750 – 1000	
B-750/1 Hydr.	4.1/2" – 14"	7100 00-Y-H	750 ton	4550 kg (10031 lbs)	750 – 1000	
B-750/1 Hydr. VC Control	4.1/2" – 14"	7100 00-Y-H-VC	750 ton	4550 kg (10031 lbs)	750 – 1000	
B-1000/1 Air	4.1/2" – 14"	711 000-Y-A	1000 ton	4550 kg (10031 lbs)	750 – 1000	
B-1000/1 Hydr.	4.1/2" – 14"	711 000-Y-H	1000 ton	4550 kg (10031 lbs)	750 – 1000	
B-1000/1 Hydr. VC Control	4.1/2" – 14"	711 000-Y-H-VC	1000 ton	4550 kg (10031 lbs)	750 – 1000	

SLIP ASSEMBLIES					
API Pipe Size	Slip Body Size	Slip Assembly c/w Inserts	Guide Plate Elevator	Guide Plate Spider	Load Rating
4.1/2"	5.1/2"	710 100-221-X	711 034	81138762	500 ton
5"		710 100-223-X	711 051	8ES18419-2	
5.1/2"		710 100-224-X	711 049	8ES18419-3	
6.5/8"	7.5/8"	710 100-228-X	711 047	8ES18419-4	750 ton
7"		710 100-229-X	711 047	8ES18419-4	
7.5/8"		710 100-231-X	711 048	8ES18419-5	
7.3/4"		710 100-269-X	711 048	8ES18419-5	
8.5/8"	9.5/8"	710 100-234-X	711 050	81138764	1000 ton
9.5/8"		710 100-236-X	711 042	81138794	
9.5/8"	10.3/4"	710 100-236-1-X	711 042	81138794	1000 ton
9.7/8"		710 100-265-X	711 045	81138797	
10.3/4"		710 100-238-1-X	711 052	81138740	
10.3/4"	11.3/4"	710 100-238-X	711 052	81138740	1000 ton
11.3/4"		710 100-239-X	711 054	81138799	
11.7/8"		710 100-262-X	711 054	81138799	
12.3/4"		710 100-241-X	711 053	81138802	
13.3/8"	14"	710 100-243-X	711 055	81138741	1000 ton
13.5/8"		710 100-259-X	711 055	81138741	
14"		710 100-255-X	711 059	81138806	

ACCESSORIES FOR ELEVATOR	
Type	P/N
Casing Guide Bell	710 550
Air Hose 52.1/2"	752 822
Hydr. Hose 52.1/2"	710 082

ACCESSORIES FOR SPIDER	
Type	P/N
Spider Adapter Plate (for 37.1/2" RT)	752 765-1
Air Hose 26"	752 823
Hydr. Hose 26"	710 083

Elevator / Spider



B-750/2 SPIDER



B-750/2 / B-1000/2						
Type	Range	P/N	Load Rating	Weight	Link Size	
B-750/2 Air	16" – 24"	712 000-Y-A	750 ton	6251 kg (13780 lbs)	750 – 1000	
B-750/2 Hydr.	16" – 24"	712 000-Y-H	750 ton	6251 kg (13780 lbs)	750 – 1000	
B-750/2 Hydr. VC Control	16" – 24"	712 000-Y-H-VC	750 ton	6251 kg (13780 lbs)	750 – 1000	
B-1000/2 Air	16" – 24"	713 000-Y-A	1000 ton	6251 kg (13780 lbs)	750 – 1000	
B-1000/2 Hydr.	16" – 24"	713 000-Y-H	1000 ton	6251 kg (13780 lbs)	750 – 1000	
B-1000/2 Hydr. VC Control	16" – 24"	713 000-Y-H-VC	1000 ton	6251 kg (13780 lbs)	750 – 1000	

SLIP ASSEMBLIES					
API Pipe Size	Slip Body Size	Slip Assembly c/w Inserts	Guide Plate Elevator	Guide Plate Spider	Load Rating
16"	17"	712 100-245-X	712 141	8ES73138	750 ton
18.5/8"	20"	712 100-248-X	712 144	8ES73137	750 ton
20"		712 100-249-X	712 145	81138832	
22"	22"	712 100-261-X	712 146	81138853	750 ton
24"	24"	712 100-254-X	712 147	8ES73135	750 ton

ACCESSORIES FOR ELEVATOR	
Type	P/N
Casing Guide Bell	712 500
Air Hose 52.1/2"	752 822
Hydr. Hose 52.1/2"	710 082

ACCESSORIES FOR SPIDER	
Type	P/N
Spider Adapter Plate (for 49.1/2" RT)	753 765
Air Hose 26"	752 823
Hydr. Hose 26"	710 083

Flush Mounted Spider – FMS-500

Description

FORUM FMS-500 Flush Mounted Spider is designed to handle casings and to be installed into 37.1/2" Rotary Tables.

Features

- Flush mount design eliminates the need for work platforms
- Pipe sizes from 4.1/2" – 14"
- 500 ton load rating
- B-Type Slip Assembly and Guide Plate can be used with the FMS-500
- Various adapters for National, Emsco and Wirth Rotary Tables available
- Optionally available with Top Cover for running control lines



FMS-500

FMS-500 FOR
RUNNING CONTROL LINES



FLUSH MOUNTED SPIDER (FMS)		
	Type	Type
	FMS-500 hydraulic Version	FMS-500 Pneumatic Version
Pipe Size	4.1/2" – 14"	4.1/2" – 14"
Load Rating	500 ton	500 ton
P/N	754 000-RT*	754 000-RT*-AIR
Stand Alone Control Unit	737 160	754 510
Hook Up Kit	754 000-HUK	754 000-AIR-HUK
Cover Plate for Cable Penetration	754 020-CP	754 020-CP

SLIP ASSEMBLIES					
API Pipe Size	Slip Body Size	Slip Assembly c/w Inserts	Guide Plate Spider	Guide Plate Cable Penetration	Load Rating
4.1/2"	5.1/2"	754 400-X	81138762	on request	350 ton
5"	5.1/2"	754 410-X	8ES18419-2	8ES18419-2-S	350 ton
5.1/2"	5.1/2"	754 490-X	8ES18419-3	8ES18419-3-S	350 ton
6.5/8"	7.5/8"	754 480-2-X	8ES18419-4	8ES18419-4-S	500 ton
7"	7.5/8"	754 470-2-X	8ES18419-4	8ES18419-4-S	500 ton
7.5/8"	7.5/8"	754 460-2-X	8ES18419-5	8ES18419-5-S	500 ton
7.3/4"	7.5/8"	754 465-2-X	8ES18419-5	8ES18419-5-S	500 ton
8.5/8"	9.5/8"	754 450-2-X	81138764	8ES18419-6-S	500 ton
9.5/8"	9.5/8"	754 440-2-X	81138794	8ES18419-7-S	500 ton
9.5/8"	10.3/4"	754 360-2-X	81138794	8ES18419-7-S	500 ton
9.7/8"	10.3/4"	754 370-2-X	81138797	upon request	500 ton
10.3/4"	10.3/4"	754 350-2-X	81138740	8ES18419-8-S	500 ton
11.3/4"	11.3/4"	754 420-X	81138799	8ES18419-9-S	500 ton
11.7/8"	11.3/4"	754 535-X	81138799	8ES18419-9-S	500 ton
12.3/4"	14"	754 375-2-X	81138802	upon request	500 ton
13.3/8"	14"	754 380-2-X	81138741	upon request	500 ton
13.5/8"	14"	754 385-2-X	81138741	upon request	500 ton
14"	14"	754 390-2-X	81138806	upon request	500 ton

Calculated sound pressure level: 69,9 dB(A)

Power Slip Elevator – PSE-1000

Description

FORUM PSE-1000 Power Slip Elevator is designed for lifting long, heavy tubulars from 2.3/8" to 22" and a capacity up to 1000 ton.

Features

- Slip Assemblies and Insert Carriers interchangeable with PS-750/2 and PS-1000 Power Slip
- Only one frame needed to handle 2.3/8" – 22"



PSE-1000

POWER SLIP ELEVATOR – PSE-1000

Type	P/N
PSE-1000	631 000-Y-BV-VC
Slip Assembly for 2.3/8" – 14"	776 120-1-X
Slip Assembly for 14.3/4" – 20"	776 120-2-X
Slip Assembly for 22"	776 120-3-X
Hook Up kit	757 101-HUK-E
Hydraulic Power Unit	757 150
Control Units	2649-10
	754 003-3

Calculated sound pressure level: 69,9 dB(A)

*RT: National (N), Wirth (W), Emsco (E) *

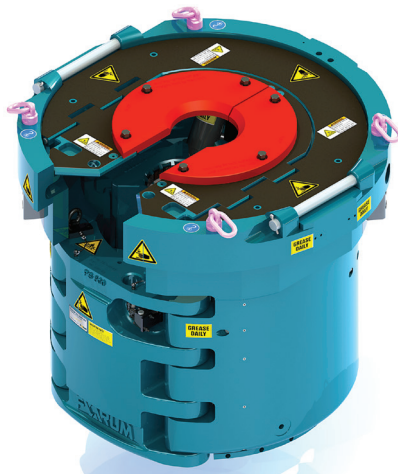
Hydraulic Operated Power Slips

Description

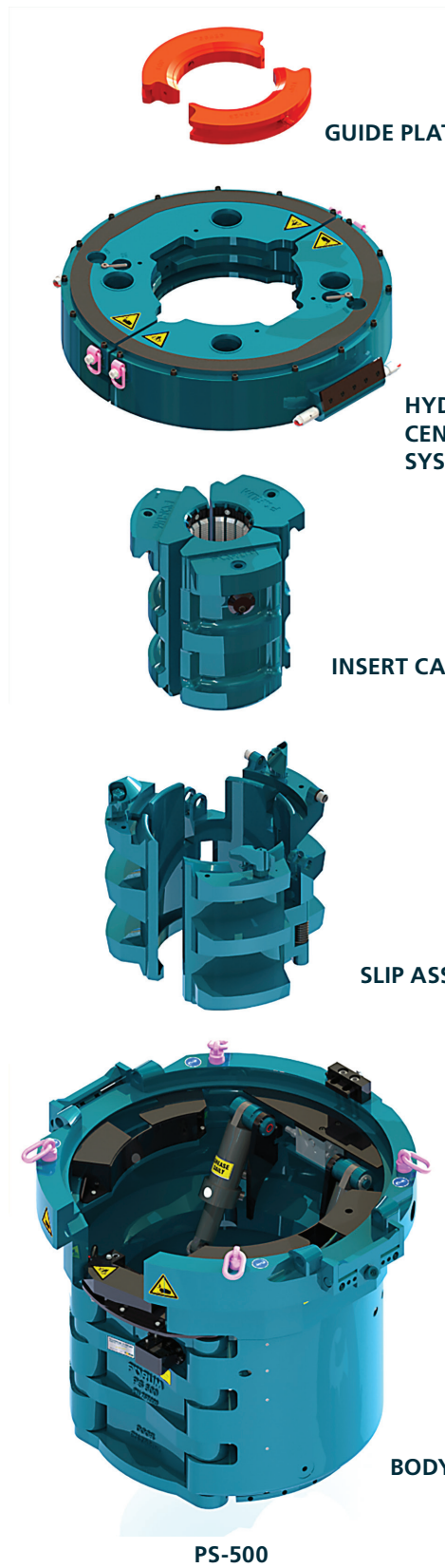
FORUM Power Slips are designed for handling long, heavy tubulars from 2.3/8" to 22" and a capacity of 350 up to 1250 ton while installed in the Rotary Table. Various adapters for different Rotary Table sizes and types are available (see page 66). The Power Slip is equipped with a central greasing system and a hydraulic feedback for "Slips up" and "Slips down".



PS-500



PS-500 FOR RUNNING CONTROL LINES



GUIDE PLATE



HYDRAULIC CENTERING SYSTEM

INSERT CARRIER

SLIP ASSEMBLY

BODY

PS-500

Power Slip – PS-350

Description

FORUM PS-350 Power Slip is designed for handling vertical drill strings from 2.3/8" to 14" with a total weight of up to 350 ton and can be used in all common 27.1/2" Rotary Tables.

Features

- Top guide system
- Off-the-shelf inserts
- Patented clamping system
- Feedback "Slips down"
- Quick change of carrier assembly during operation
- Various adapters available



PS-350



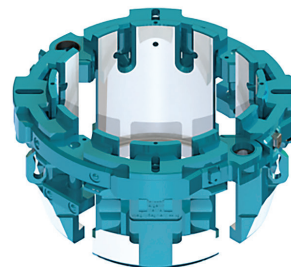
GUIDE PLATE



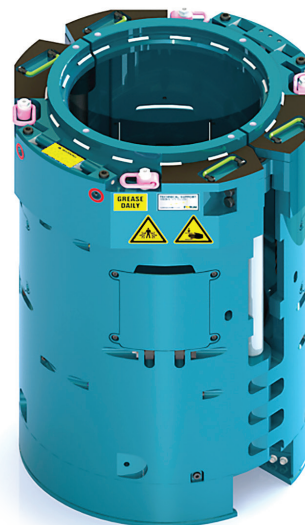
UPPER RING



SLIP ASSEMBLY



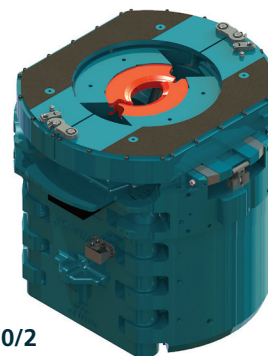
CARRIER ASSEMBLY



BODY

PS-350

Hydraulic Operated Power Slips



PS-750/2



PS HYDRAULIC OPERATED POWER SLIPS				
Type	P/N	Size	Load Rating	Rotary Table Size
PS-500	759 000-RT*	2.3/8" – 14"	500 ton	37.1/2"
PS-500 for cable penetration	757 500-N-F	2.3/8" – 14"	500 ton	37.1/2"
PS-750/2	776 100-RT*	2.3/8" – 22"	750 ton	49.1/2"
PS-1000	772 000-RT*	2.3/8" – 22"	1000 ton	49.1/2"
PS-1250	774 000-RT*	3.1/2" – 14"	1250 ton	49.1/2"
Accessory Tools	PS-500	PS-750/2	PS-1000	PS-1250
Hook Up kit	757 000-HUK	776 100-HUK	776 100-HUK	774 000-HUK
Compact hydraulic Power Unit, air operated	757 150	757 150	757 150	n/a
Control Unit PS	757 109	757 109	757 109	757 109
Control Unit PS stand alone	757 160	757 160	757 160	757 160
Control Unit Grease System 230 v AC zone 1	755 105-11	755 105-11	755 105-11	755 105-11
Control Unit Grease System 24 v DC zone 1	755 105-12	755 105-12	755 105-12	755 105-12
Slip Assemblies	PS-500	PS-750/2	PS-1000	PS-1250
(for Insert Carriers please see next pages)				
Slip Assembly 2.3/8" – 14"	757 020-X	776 120-1-X	776 120-1-X	
Slip Assembly 14.3/4" – 20"	776 120-2-X	776 120-2-X		
Slip Assembly 22"	776 120-3-X	776 120-3-X		
Slip Assembly 3.1/2" – 14"	774 020-X			
Optional Equipment	PS-500	PS-750/2	PS-1000	PS-1250
Hand Slip Insert Bowl No. 3 2.3/8" – 8.5/8" for manual slip handling	755 820-X			
Hand Slip Top Bowl 200 tons 11.3/4" - 13.3/8" for manual slip handling	553 600-X	553 600-X	553 600-X	
Reducing Bushing 9.5/8" – 10.3/4"	553 610-X	553 610-X	553 610-X	
Reducing Bushing 2.3/8" – 8.5/8"	553 611-X	553 611-X	553 611-X	
Top Wear Guide System	776 750	776 750**	776 750**	776 750
Wear Guide 6.5/8"	776 751	776 751	776 751	776 751
Wear Guide 5.7/8"	776 752	776 752	776 752	776 752
Multi Coupling kit	756 850	776 800	776 800	n/a
Pipe Wiper System (fits standard 19" Dual Type Wipers)	756 750	775 990	775 990	774 930
Bit Breaker Adapter Plate	553 455**	553 455**	553 455**	553 455**
Bottom Wear Guide System				774960

Calculated sound pressure level: 69,9 dB(A)

RT: National (N), Wirth (W), Emco (E), Oilwell / Wirth (OW) **requires Bit Breaker Adapter Plate P/N 775 795 / included in Hook up kit

Power Slip – PS-350

PS-350 POWER SLIP FOR 27.1/2" RT – 350 TON 2.3/8" – 14"			
Dimensions	Width: 30" / 760 mm	Height: 34.64" / 880 mm	Height over RT: 4" / 102 mm
Weight	PS w/o slip assy 1090 kg (2403 lbs)	complete assembly for 9.5/8" 350 kg (771 lbs)	
Rating PS	Pipe Size	2.3/8" up to 14"	
	Pipe Weight	max. 350 ton	
Working Pressure	Hydraulic Flow Rate	min. 5 gal/min, max. 10 gal/min	
	Hydraulic connections	On top of the Power Slip	
Guide Plates	Top Guide Plate	Available for all Pipe Sizes	

PS-350	
Type	P/N
PS-350	737 000
Hook Up kit	737 007-HUK
Control Unit	754 003-3
Stand Alone Control Unit	737 160

DC Pipe	
Carrier Assembly	Sizes
737690-182-X	5.1/8" x 4.3/8" zip (4.3/4 DC)
737690-189-X	7" x 6.1/4" zip (6.3/4" DC)
737690-194-X	8.3/8" x 7.1/2" zip (8"DC)

CARRIER ASSEMBLIES						
API Pipe Size	Pipe Type	Carrier Body Size	Carrier Assembly c/w inserts	Guide Plate Casing	Guide Plate DP, DC, TBG	Load Rating
2.3/8"	DP, TBG	2.7/8"	737670-101-X		81153584	65
2.7/8"	DP, TBG		737670-103-X		81153584	65
3.1/2"	DP, TBG, CSG	4.1/2"	737670-105-X		81150653	250
4"	DP, TBG, CSG		737670-106-X		81150653	250
4.1/2"	DP, TBG, CSG		737670-107-X	81138762	81138816	250
5"	DP, CSG	5.1/2"	737670-109-X	8ES18419-2	81150655	350
5.1/2"	DP, CSG		737670-111-X	8ES18419-3	81150657	350
5.7/8"	DP, CSG	7"	737670-115-X		81150657	350
6.5/8"	DP, CSG		737670-228-X	8ES18419- 4	81150659	350
7"	CSG		737670-229-X	8ES18419- 4		350
7.3/4"	CSG	7.3/4"	737670-269-X	8ES18419-5		350
7.5/8"	CSG	7.5/8"	737670-231-X	8ES18419-5		350
8.5/8"	CSG	9.5/8"	737670-234-X	81138764		350
9.5/8"	CSG		737670-236-X	81138794		350
10"	CSG	10.3/4"	737670-237-X	81138811		350
10.3/4"	CSG		737670-238-X	81138740		350
11.3/4"	CSG	12.3/4"	737670-239-X	81138799		350
11.7/8"	CSG		737670-262-X	81138806		350
12.3/4"	CSG		737670-241-X	81138802		350
13.3/8"	CSG	14"	737670-243-X	81138741		350
13.5/8"	CSG		737670-259-X	81138741		350
14"	CSG		737670-255-X			350

Calculated sound pressure level: 69,9 dB(A)

Hydraulic Operated Power Slips

PS-500						
Carrier for Drill Pipe						
API Pipe Size	Carrier Body Size	Carrier Assembly c/w Inserts	Hydraulic Guide Plate	Guide Plate for Cable Penetration	Load Rating	
2.3/8"		756 670-101-X	756 473	757 565	250 ton	
2.7/8"	3.1/2"	756 670-103-X	756 473	757 565	250 ton	
3.1/2"		756 670-105-X	756 474	757 564	250 ton	
3.1/2"		756 670-105-1-X	756 474	757 564	350 ton	
4"	4.1/2"	756 670-106-X	756 475	757 563	350 ton	
4.1/2"		756 670-107-X	756 476	757 562	350 ton	
4.1/2"		756 670-107-1-X	756 476	757 562	500 ton	
5"	5.1/2"	756 670-109-X	756 476	757 562 5	00 ton	
5.1/2"		756 670-111-X	756 470	757 559	500 ton	
5.7/8"		756 670-115-X	756 421	upon request	500 ton	
6.5/8"	7"	756 670-114-X	756 424	757 560	500 ton	
6.906"		756 670-112-X	756 422	757 558	500 ton	
6.906"	7.5/8"	756 670-112-1-X	756 422	757 558	500 ton	
Carrier for Casing						
API Pipe Size	Carrier Body Size	Carrier Assembly c/w Inserts	Hydraulic Guide Plate	Guide Plate for Cable Penetration	Load Rating	
6.5/8"	7.5/8"	756 670-228-X	756 422	757 558	500 ton	
7"	7"	756 670-229-1-X	756 422	757 558	500 ton	
7"		756 670-229-X	756 422	757 558	500 ton	
7.5/8"	7.5/8"	756 670-231-X	756 422	757 558	500 ton	
7.3/4"		756 670-269-X	upon request	upon request	500 ton	
8" 8.1/2"		756 670-232-X	756 422	upon request	500 ton	
8.5/8"	9.5/8"	756 670-234-X	756 425	757 557	500 ton	
9.5/8"		756 670-236-X	756 423	757 556	500 ton	
9.5/8"		756 670-236-1-X	756 423	757 556	500 ton	
9.7/8"		756 670-265-X	756 477	upon request	500 ton	
10"	10.3/4"	756 670-237-X	756 477	upon request	500 ton	
10.3/4"		756 670-238-X	756 426	757 554	500 ton	
11.3/4"		756 670-239-X	756 427	upon request	500 ton	
11.7/8"	12.3/4"	756 670-262-X	756 427	upon request	500 ton	
12.3/4"		756 670-241-X	756 471	upon request	500 ton	
12.3/4"		756 670-241-1-X	756 471	upon request	500 ton	
13.3/8"		756 670-243-X	756 472	757 551	500 ton	
13.1/2"	14"	756 670-270-X	756 428	upon request	500 ton	
13.5/8"		756 670-259-X	756 428	upon request	500 ton	
14"		756 670-255-X	756 428	upon request	500 ton	
Carrier for Drill Collar with ZIP Groove						
API Pipe Size	Carrier Body Size	Carrier Assembly c/w Inserts	Hydraulic Guide Plate	Guide Plate for Cable Penetration	Load Rating	
4.3/4"	4.1/2"	756 690-182-X	756 420	757 561	150 ton	
5.1/4"	5.1/2"	756 690-183-X	756 424	upon request	150 ton	
6.1/4"		756 690-187-X	756 424	upon request	150 ton	
6.1/2"	6.3/4"	756 690-188-X	756 424	757 560	150 ton	
6.3/4"		756 690-189-X	756 424	757 560	150 ton	
7"		756 690-190-X	756 422	upon request	150 ton	
8"		756 690-194-X	756 422	upon request	150 ton	
8.1/4"	8.1/2"	756 690-195-X	756 425	757 557	150 ton	
8.1/2"		756 690-196-X	756 425	757 557	150 ton	
8.3/4"		756 690-197-X	756 423	757 556	150 ton	
9"		756 690-198-X	756 423	757 556	150 ton	
9.1/2"	9.1/2"	756 690-199-X	756 423	757 556	150 ton	
9.3/4"		756 690-203-X	756 423	upon request	150 ton	
10"		756 690-202-X	756 423	upon request	150 ton	
Carrier for Drill Collar without ZIP Groove						
API Pipe Size	Carrier Body Size	Carrier Assembly c/w Inserts	Hydraulic Guide Plate	Guide Plate for Cable Penetration	Load Rating	
3.1/8"	3.1/2"	756 690-308-X	756 476	upon request	150 ton	
3.3/8"		756 690-309-X	upon request	upon request	150 ton	
4.3/4"	5.1/2"	756 690-276-X	756 420	757 561	150 ton	
6.1/4"		756 690-284-X	756 421	upon request	150 ton	
6.1/2"	6.3/4"	756 690-286-X	756 424	757 560	150 ton	
6.3/4"		756 690-287-X	756 424	757 560	150 ton	
8"		756 690-293-X	756 422	upon request	150 ton	
8.1/4"	8.1/2"	756 690-295-X	756 425	upon request	150 ton	
8.1/2"		756 690-296-X	756 425	upon request	150 ton	
9"		756 690-297-X	756 423	757 556	150 ton	
9.1/2"	9.1/2"	756 690-298-X	756 423	757 556	150 ton	

Hydraulic Operated Power Slips

PS-750/2 + PS-1000					
Carrier for Drill Pipe					
API Pipe Size	Carrier Body Size	Carrier Assembly c/w Inserts	Hydraulic Guide Plate	Guide Plate for Cable Penetration	Load Rating
2.3/8"		775 670-101-X	756 473	757 565	250 ton
2.7/8"	3.1/2"	775 670-103-X	756 473	757 565	250 ton
3.1/2"		775 670-105-X	756 474	757 564	250 ton
3.1/2"		775 670-105-1-X	756 474	757 564	500 ton
4"	4.1/2"	775 670-106-X	756 475	757 563	500 ton
4.1/2"		775 670-107-X	756 476	757 562	500 ton
4.1/2"		775 670-107-1-X	756 476	757 562	750 ton
5"	5.1/2"	775 670-109-X	756 476	757 562	750 ton
5.1/2"		775 670-111-X	756 470	757 559	750 ton
5.7/8"		775 670-115-X	756 421	upon request	1000 ton
6.5/8"	7"	775 670-114-X	756 424	757 560	1000 ton
6.906"		775 670-112-X	756 422	757 558	1000 ton
6.906"	7.5/8"	775 670-112-1-X	756 422	757 558	1000 ton
Carrier for Casing					
API Pipe Size	Carrier Body Size	Carrier Assembly c/w Inserts	Hydraulic Guide Plate	Guide Plate for Cable Penetration	Load Rating
6.5/8"	7.5/8"	775 670-228-X	756 422	757 558	1000 ton
7"	7"	775 670-229-1-X	756 422	757 558	1000 ton
7"		775 670-229-X	756 422	757 558	1000 ton
7.5/8"	7.5/8"	775 670-231-X	756 422	757 558	1000 ton
7.3/4"		775 670-269-X	756 422	upon request	1000 ton
8.5/8"		775 670-234	756 425	757 557	1000 ton
9.5/8"	9.5/8"	775 670-236-X	756 423	757 556	1000 ton
9.3/8"		775 670-312-X	756 423	upon request	1000 ton
9.5/8"		775 670-236-1-X	756 423	upon request	1000 ton
9.7/8"	10.3/4"	775 670-265-X	756 477	upon request	1000 ton
10"		775 670-237-X	756 477	upon request	1000 ton
10.3/4"		775 670-238-X	756 426	757 554	1000 ton
11.3/4"		775 670-239-X	756 427	upon request	1000 ton
11.7/8"	12.3/4"	775 670-262-X	756 427	upon request	1000 ton
12.3/4"		775 670-241-X	756 471	upon request	1000 ton
12.3/4"		775 670-241-1-X	756 471	upon request	1000 ton
13.3/8"		775 670-243-X	756 472	757 551	1000 ton
13.1/2"	14"	775 670-270-X	756 428	upon request	1000 ton
13.5/8"		775 670-259-X	756 428	upon request	1000 ton
14"		775 670-255-X	756 428	upon request	1000 ton
16"	16"	775 630-245-X	775 459	upon request	1000 ton
17"	17"	775 630-267-X	775 454	upon request	1000 ton
18"	18.5/8"	775 630-247-X	775 456	upon request	1000 ton
18.5/8"		775 630-248-X	775 451	upon request	1000 ton
20"	20"	775 630-249-X	775 457	upon request	1000 ton
Carrier for Drill Collar with ZIP Groove					
API Pipe Size	Carrier Body Size	Carrier Assembly c/w Inserts	Hydraulic Guide Plate	Guide Plate for Cable Penetration	Load Rating
4.3/4"	4.1/2"	775 690-182-X	756 420	757 561	150 ton
5.1/4"	5.1/2"	775 690-183-X	756 421	upon request	150 ton
6.1/4"		775 690-187-X	756 421	upon request	150 ton
6.1/2"	6.3/4"	775 690-188-X	756 424	757 560	150 ton
6.3/4"		775 690-189-X	756 424	757 560	150 ton
7"		775 690-190-X	756 422	upon request	150 ton
8"		775 690-194-X	756 422	upon request	150 ton
8.1/4"	8.1/2"	756 690-195-X	756 425	757 557	150 ton
8.1/2"		775 690-196-X	756 425	757 557	150 ton
8.3/4"		775 690-197-X	756 423	757 556	150 ton
9"		775 690-198-X	756 423	757 556	150 ton
9.1/2"	9.1/2"	775 690-199-X	756 423	757 556	150 ton
9.3/4"		775 690-203-X	756 423	upon request	150 ton
Carrier for Drill Collar without ZIP Groove					
API Pipe Size	Carrier Body Size	Carrier Assembly c/w Inserts	Hydraulic Guide Plate	Guide Plate for Cable Penetration	Load Rating
3.1/8"	3.1/2"	775 690-308-X	756 476	upon request	150 ton
4.3/4"	5.1/2"	775 690-276-X	756 420	757 561	150 ton
6.1/4"		775 690-284-X	756 421	upon request	150 ton
6.1/2"	6.3/4"	775 690-286-X	756 424	757 560	150 ton
6.3/4"		775 690-287-X	756 424	757 560	150 ton
8"		775 690-293-X	756 422	upon request	150 ton
8.1/4"	8.1/2"	775 690-295-X	756 425	upon request	150 ton
8.1/2"		775 690-296-X	756 425	upon request	150 ton
9"		775 690-297-X	756 423	757 556	150 ton
9.1/2"	9.1/2"	775 690-298-X	756 423	757 556	150 ton

Power Slip – PS-1250

PS-1250					
Insert Slip					
API Pipe Size	Insert Slip Body Size	Insert Slip Assembly c/w Inserts	Top Guide Plate	Bottom Guide Plate	Load Rating
6.5/8"(6,906 inch)	7"	774 060-112-X	774 815	774 915	1250 ton
Carrier for Drill Pipe					
API Pipe Size	Insert Slip Body Size	Insert Slip Assembly c/w Inserts	Top Guide Plate	Bottom Guide Plate	Load Rating
3.1/2"	3.1/2"	774 070-105-X	774 805	774 905	250 ton
3.1/2"		774 070-105-1-X	774 805	774 905	500 ton
4"	4.1/2"	774 070-106-X	774 806	774 906	500 ton
4.1/2"		774 070-107-X	774 807	774 907	500 ton
4.1/2"		774 070-107-1-X	774 807	774 907	750 ton
5"	5.1/2"	774 070-109-X	774 809	774 909	750 ton
5.1/2"		774 070-111-X	774 811	774 911	750 ton
5.7/8"	7"	774 070-115-X	774 812	774 912	1000 ton
6.5/8"		774 070-114-X	774 815	774 915	1000 ton
Carrier for Casing					
API Pipe Size	Insert Slip Body Size	Insert Slip Assembly c/w Inserts	Top Guide Plate	Bottom Guide Plate	Load Rating
6.5/8"	7.5/8"	774 070-228-X	774 815	774 915	1250 ton
7"	7"	774 070-229-1-X	774 815	774 915	1000 ton
7"		774 070-229-X	774 815	774 915	1250 ton
7.5/8"	7.5/8"	774 070-231-X	774 819	774 919	1250 ton
7.3/4"		774 070-269-X	774 819	774 919	1250 ton
8.5/8"		774 070-234-X	774 824	774 924	1250 ton
9.5/8"	9.5/8"	774 070-236-X	774 827	774 927	1250 ton
9.5/8"		774 070-236-1-X	774 827	774 927	1250 ton
9.7/8"		774 070-265-X	774 827	774 927	1250 ton
10"	10.3/4"	774 070-237-X	774 827	774 927	1250 ton
10.3/4"		774 070-238-X	774 832	774 932	1250 ton
11.3/4"		774 070-239-X	774 833	774 933	1250 ton
11.7/8"	12.3/4"	774 070-262-X	774 833	774 933	1250 ton
12.3/4"		774 070-241-X	774 835	774 935	1250 ton
12.3/4"		774 070-241-1-X	774 835	774 935	1250 ton
13.3/8"		774 070-243-X	774 836	774 936	1250 ton
13.1/2"	14"	774 070-270-X	774 836	774 936	1250 ton
13.5/8"		774 070-259-X	774 836	774 936	1250 ton
14"		774 070-255-X	774 839	774 939	1250 ton
Carrier for Drill Collar with ZIP Groove					
API Pipe Size	Insert Slip Body Size	Insert Slip Assembly c/w Inserts	Top Guide Plate	Bottom Guide Plate	Load Rating
4.3/4"	4.1/2"	774 090-182-X	774 809	774 909	150 ton
5.1/4"	5.1/2"	774 090-183-X	774 809	774 909	150 ton
6.1/4"		774 090-187-X	774 813	774 913	150 ton
6.1/2"	6.3/4"	774 090-188-X	774 815	774 915	150 ton
6.3/4"		774 090-189-X	774 815	774 915	150 ton
7"		774 090-190-X	774 815	774 915	150 ton
8"		774 090-194-X	774 819	774 919	150 ton
8.1/4"	8.1/2"	774 090-195-X	774 822	774 922	150 ton
8.1/2"		774 090-196-X	774 822	774 922	150 ton
8.3/4"		774 090-197-X	774 824	774 924	150 ton
9"		774 090-198-X	774 826	774 926	150 ton
9.1/2"	9.1/2"	774 090-199-X	774 827	774 927	150 ton
9.3/4"		774 090-203-X	774 827	774 927	150 ton
10"		774 090-202-X	774 827	774 927	150 ton
Carrier for Drill Collar without ZIP Groove					
API Pipe Size	Insert Slip Body Size	Insert Slip Assembly c/w Inserts	Top Guide Plate	Bottom Guide Plate	Load Rating
3.1/8"	3.1/2"	774 090-308-X	774 805	774 905	150 ton
3.3/8"		774 090-309-X	774 805	774 905	150 ton
4.3/4"	5.1/2"	774 090-276-X	774 809	774 909	150 ton
6.1/4"		774 090-284-X	774 813	774 913	150 ton
6.1/2"	6.3/4"	774 090-286-X	774 815	774 915	150 ton
6.3/4"		774 090-287-X	774 815	774 915	150 ton
8"		774 090-293-X	774 819	774 919	150 ton
8.1/4"	8.1/2"	774 090-295-X	774 822	774 922	150 ton
8.1/2"		774 090-296-X	774 822	774 922	150 ton
9"	9.1/2"	774 090-297-X	774 826	774 926	150 ton
9.1/2"		774 090-298-X	774 827	774 927	150 ton

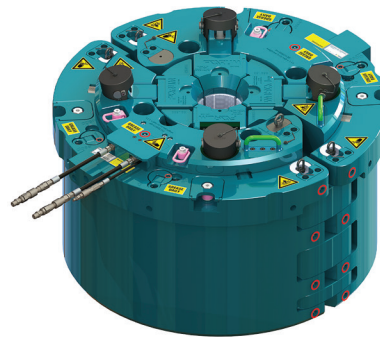
Load Rated Master Bushing (LRMB)

Description

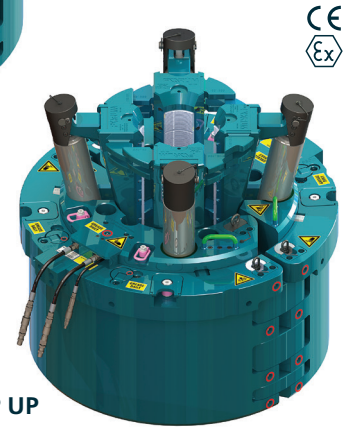
FORUM LRMB-1500 Load Rated master Bushing incorporates a hydraulic slip lifter and a slip assembly with curved dies for an optimized slip contact area, embedded in a 49.1/2" master bushing frame. The LRMB-1500 offers the optimal solution for handling 6.5/8" dp (6.906" slip proof section) landing strings and above.

Features

- Flush mounted in „Slips set“ position with 4-Slips for an optimal grip angle arrangement
- Equipped with backup torque and additional down force for safe operation
- All dies are installed with load shoulder for optimal load distribution
- “Slip set” and “Slip raised” hydraulic feedback signal



LRMB WITH SLIP DOWN



LRMB WITH SLIP UP

LOAD RATED MASTER BUSHING					
	LRMB-750 Manual	LRMB-1250 Manual	LRMB-1250 Hydraulic	LRMB-1500 Manual	LRMB-1500 Hydraulic
Range	2.3/8" - 13.3/8"	2.3/8" - 13.3/8"	5" - 6.5/8"	2.3/8" - 13.3/8"	5" - 6.5/8"
P/N	559750-RT*-X	559100-RT*-X	559100-RT*-X	559100-1500-RT*-X	559100-1500-RT*-X
Slip Lifter	N/A	N/A	559075-H-F-X	N/A	559075-1500-H-F-X
Slip Assembly	N/A	N/A	See table below	N/A	See table below
Guide Plate	N/A	N/A	See table below	N/A	See table below
Hydraulic requirements	N/A	N/A	See table below	N/A	See table below
Adapter Bowl	559170-X	559170-X	N/A	559170-X	N/A
Bowl #1, #2, #3	See page 70	See page 70	N/A	See page 70	N/A
Hand Slips	See pages 57 - 66	See pages 57 - 66	N/A	See pages 57 - 66	N/A
Optional equipment	P/N				
Hook up Kit	559 100-Tk				
Air Operated Grease Pump	775 810				
Stand Alone Control Panel	757 160				
Bit Breaker Plate	553 455				
Pipe Size	Pipe Body	Slip Assembly		Bottom Guide Plates	
		LRMB-1250	LRMB-1500		
5"	6.5/8"	559157-X	559157-1500-X	559715	
5.1/2"	6.5/8"	559158-X	559158-1500-X	559716	
5.7/8"	6.5/8"	559159-X	559159-1500-X	559717	
6.5/8"	6.5/8"	559160-X	559160-1500-X	559720	
6.906"	6.5/8"	559161-X	559161-1500-X	559941	

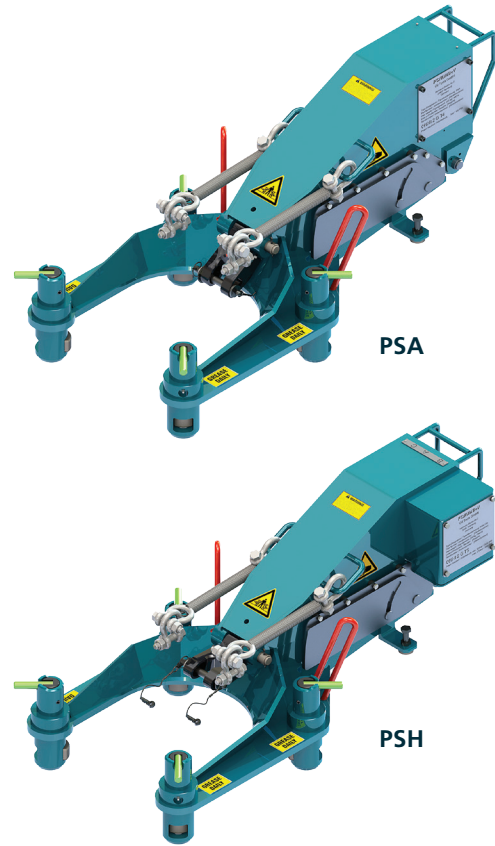
Slip Lifter

Description

FORUM PSA / PSH Slip Lifter is a pneumatically / hydraulically operated power tool used to lift drill pipe slips and reduce personnel fatigue and injuries through remote operation from the driller's cabin or standalone control panels. It will also extend slip and insert life by properly setting and raising slips. The Slip Lifter can be used with FORUM standard drill pipe slips from 2.3/8" – 7.5/8" and most other brands.

Features

- Pneumatic and hydraulic models available
- Equipped with hydraulic feedback "Slip set"
- Models available to fit both pin and square drive master bushings from 17.1/2" to 49.1/2"
- Installed into 25.3/4" pin drive holes
- PSH with 2 ton downforce eliminates need of safety clamps



SLIP LIFTER				
Type	P/N	Range	Weight	Description
PSA	88 720-A	2.3/8" – 7.5/8"	200 kg (440 lbs)	Lift up and down with quick Lock Pin Assembly for Plain Bores
PSA	88 710-A	2.3/8" – 7.5/8"	200 kg (440 lbs)	Lift up and down with Locking Assembly for Bores with Groove (to be used inside master Bushings with Slot only)
PSA	88 920-A	2.3/8" – 7.5/8"	200 kg (440 lbs)	For 17.1/2" Rotary Table
PSH	88 710-H	2.3/8" – 7.5/8"	200 kg (440 lbs)	Lift up and down with Locking Assembly for Bores with Groove (to be used inside master Bushings with Slot only)
PSH	88 710-HD	2.3/8" – 7.5/8"	200 kg (440 lbs)	Lift up and down with Locking Assembly for Bores with Groove (to be used inside master Bushings with Slot only) with 2 ton downforce

Accessories				
88 408-C	Optional Adapter N/A for Varco SDXL Handslips		4 kg (8.8 lbs)	N/A
88 408-D	Optional Adapter N/A for Varco SDML Handslips		4 kg (8.8 lbs)	N/A
754 003-3	Electrical Control Unit			

P/N	Slip Type	Typ	Down Force	A [inch / mm]	B [inch / mm]	C [inch / mm]	D [inch / mm]
88208	RSX and LRS	PSA / PSH	No	1.67 / 42,5	3.94 / 100,0	7.38 / 187,5	1.92 / 49,0
88208-A	SDXL	PSA / PSH	No	1.67 / 42,5	3.94 / 100,0	8.07 / 205,0	2.24 / 57,0
88208-5	RSM	PSA / PSH	No	1.67 / 42,5	3.94 / 100,0	9.20 / 233,8	1.71 / 43,6
88408	RSX and LRS	PSH	Yes	1.67 / 42,5	3.94 / 100,0	7.32 / 186,0	1.28 / 32,6
88408-C	SDXL	PSH	Yes	1.67 / 42,5	3.94 / 100,0	8.13 / 206,6	0.87 / 22,0
88408-D	SDML	PSH	Yes	1.67 / 42,5	3.15 / 80,0	9.76 / 248,0	0.87 / 22,0
88408-5	RSM	PSH	Yes	1.67 / 42,5	3.94 / 100,0	9.60 / 244,0	1.28 / 32,6

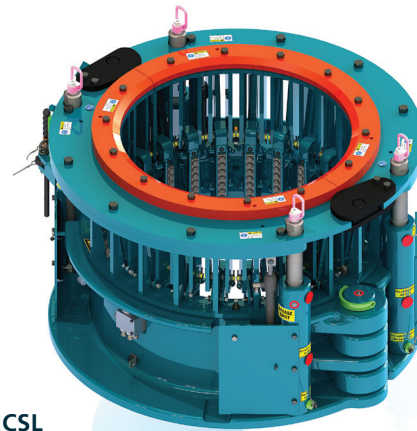
Hydraulic Casing Slip Lifter (HCSL)

Description

FORUM HCSL-350 Hydraulic Casing Slip Lifter is a power tool used to lift casing / conductor slips and reduce personnel fatigue and injuries through remote operation from the driller’s cabin or standalone control panels. It will also extend slip and insert life by properly setting and raising slips. The Slip Lifter can be used with FORUM standard casing / conductor slips from 18.5/8” – 30”.

Features

- Hydraulically operated, including feedback signal for “Slip set”; a „Slip up” signal is optional
- Uses standard FORUM CSL slip segments, which improves slip segment utilization
- Integrates into casing running tools and topdrives
- Designed with manual guide plate for different pipe sizes
- Remote operations possible with an optional FORUM control



HCSL



HYDRAULIC CASING SLIP LIFTER	
P/N	558 020-X
Load Rating	350 ton
Pipe size range	18.5/8” – 30”
Working pressure	Min 140 bar (2027 psi) Max 210 bar (3046 psi)
Required Flow rate	Min 5 Gpm (18.9 l/m) Max 10 Gpm (37.9 l/m)

API Pipe Size	Slip Carrier	Reducing Bushing	Load Rating
18.5/8”	558 066-X	553 464-X	350 ton
20”	558 063-X	553 464-X	350 ton
24”	558 064-X	553 463-X	350 ton
26”	558 065-X	553 462-X	350 ton
30”	558 061-X	n/a	350 ton

Pneumatic BackSaver

Description

FORUM BackSaver® is a pneumatically/hydraulically operated power tool used to lift the slips and reduce personnel fatigue and injuries through remote operation from the driller's cabin or standalone control panels. It will also extend slip and insert life by properly setting and raising slips.

Features

- Models available to fit both pin and square drive master bushings
- Models available to fit 17.1/2" – 37.1/2" master bushings
- Pneumatic and hydraulic models available
- Hydraulic feedback options available (some models)
- Uses standard 16" slips (adapter kits required)



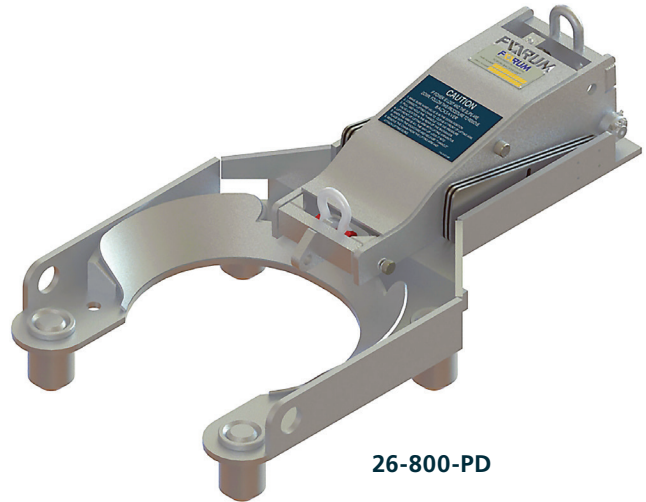
26-100-PD

PNEUMATIC BACKSAVER (W/O SLIPS)		
Description	P/N	Weight
Pneumatic BackSaver Assembly f/ 27.1/2" Pin Drive	26-100-PD	136 kg (300 lbs)
Pneumatic BackSaver Assembly f/ 27.1/2" Pin Drive; Adjustable	26-100-PD-01	136 kg (300 lbs)
Pneumatic BackSaver Assembly f/ 20.1/2" Pin Drive	26-100-PD-02	125 kg (275 lbs)
Pneumatic BackSaver Assembly f/ 17.1/2" Pin Drive	26-100-PD-03	125 kg (275 lbs)
Pneumatic BackSaver Assembly f/ Square Drive	26-100-SD	136 kg (300 lbs)

PNEUMATIC BACKSAVER ACCESSORIES	
Description	P/N
Lifting Sling	26-524*
Foot Operated Control valve	34-129
Filter – Regulator – Lubricator Unit	34-127
10' Air Hose	26-540-10
15' Air Hose	26-540-15
25' Air Hose	26-540-25
Storage Stand	26-501*
Pneumatic Hand Valve Stand	26-532-ASSY

*Item included in BackSaver Assemblies

Hydraulic BackSaver



26-800-PD

HYDRAULIC BACKSAVER (W/O SLIPS)		
Description	P/N	Weight
Hydraulic BackSaver Assembly f/ 27.1/2" Pin Drive	26-800-PD	136 kg (300 lbs)
Hydraulic BackSaver Assembly f/ 27.1/2" Pin Drive; w/Down Sensor	26-800-PD-01	136 kg (300 lbs)
Hydraulic BackSaver Assembly f/ 20.1/2" Pin Drive	26-800-PD-02	125 kg (275 lbs)
Hydraulic BackSaver Assembly f/ Square Drive	26-800-SD	136 kg (300 lbs)

HYDRAULIC BACKSAVER ACCESSORIES	
Description	P/N
Lifting Sling	26-524*
Hydraulic valve Stand	26-832-ASSY
Intermediate Hose Set	1052731*
Intermediate Hose Set w/ Down Sensor	1052750***
Hydraulic Hose, Tank	1040946**
Hydraulic Hose, Pressure	1040948**
Storage Stand	26-501*
Control Interface module, Power Slips	1027337

BACKSAVER SLIP ADAPTER KITS f/ PNEUMATIC AND HYDRAULIC BACKSAVERS	
Description	P/N
Slip Adapter kit/ SDXL Slips	26-507-A
Slip Adapter kit/ 4.1/2" DU Long Slips	26-507-B
Slip Adapter kit/ 5.1/2" SDU Long Slips	26-507-D
Slip Adapter kit/ 7" SDU Long and LD Slips	26-507-E
Slip Adapter kit/ 5" SDML Slips	26-507-H
Slip Adapter kit/ 3.1/2" & 4.1/2" SDML Slips	26-507-I
Slip Adapter kit/ 5.1/2" DU Long Slips	26-507-J
Slip Adapter kit/ 4.1/2" & 5" RSX / LRS Slips	1121442
Slip Adapter kit/ 5.1/2" & 6.5/8" RSX / LRS Slips	1121585

*Item included in BackSaver Assemblies
 **Hoses connects from valve Stand to Power Unit
 ***Item included in BackSaver Assemblies W/ down sensor

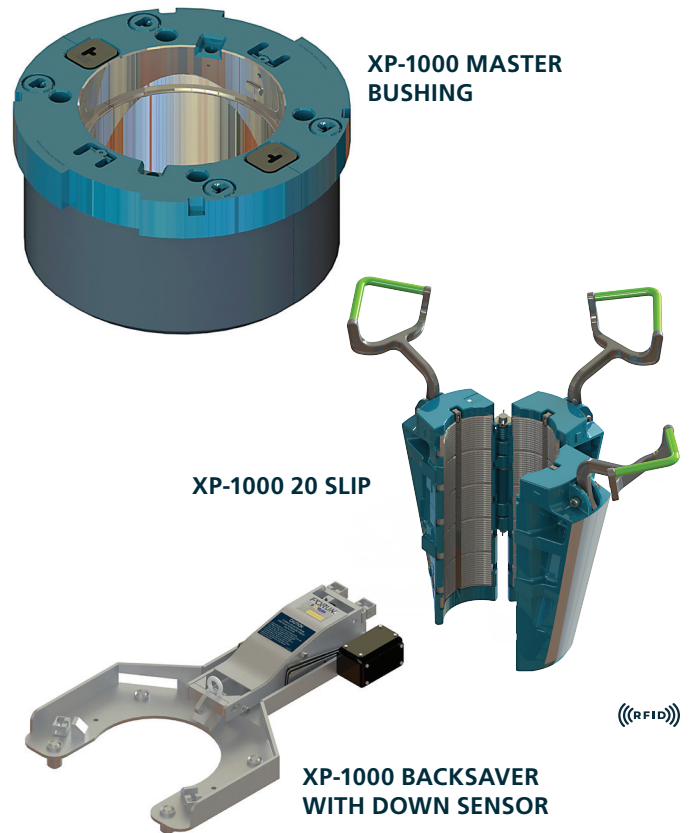
XP-1000 System

Description

FORUM XP-1000 Systems consists of a proprietary master bushing, insert bowl, and slips designed to address the requirement for ultra-high loads in the emerging deep drilling market. The XP-1000 System also uses the hydraulically operated, XP-1000 BackSaver® to lift the slips and reduce personnel fatigue and injuries through remote operation from the driller's cabin or standalone control panels. Designed to handle pipe ranging from 3.1/2" – 7.1/8" and is load rated for 1000 ton.

Features

- Automated operation
- Hydraulic feedback options available
- Split 37.1/2" keyed master bushing
- Split inner bowl with 90° orientation to master bushing
- Patented slip and bowl taper to reduce crushing forces
- Patented load distributing slip / insert system
- Extended 20" effective slip height and 80% effective contact area to reduce crushing forces
- Standard API 4" TPF insert bowls available
- Optional wear/deflection plate protects bowl from wear



XP-1000 BACKSAVER (W/O SLIPS)			
Description	P/N	Weight	
XP-1000 BackSaver Assembly	1014730	136 kg (300 lbs)	
XP-1000 BackSaver Assembly w/ Down Sensor	1014731	144 kg (317 lbs)	

XP-1000 MASTER BUSHINGS			
Description	P/N	Weight	Load Rating
XP-1000 Master Bushing Assembly	1031715-X	1867 kg (4117 lbs)	1000 ton
XP-1000 Master Bushing Assembly w/ Deflection Plate	1027769-X	2097 kg (4622 lbs)	1000 ton

XP-1000 INSERT BOWLS			
Description	P/N	Weight	Load Rating
Insert Bushing f/ XP-1000 System	1014720-X	703 kg (1550 lbs)	1000 ton
Insert Bushing f/ XP-1000 System w/ Umbilical Slot	03-955-01-X	676 kg (1490 lbs)	1000 ton
Insert Bushing f/ XP-1000 System w/ 6" Umbilical Slot	03-955-06-X	656 kg (1446 lbs)	1000 ton
#3 Insert Bushing f/ XP-1000 System (4" TPF)	1018990-X	679 kg (1496 lbs)	1000 ton
#3 Insert Bushing f/ XP-1000 System (4" TPF) w/ 6" Umbilical Slot	03-956-06-X	618 kg (1362 lbs)	1000 Ton
#2 Insert Bushing f/ XP-1000 System (4" TPF)	03-957-X	588 kg (1297 lbs)	1000 ton
#1 Insert Bushing f/ XP-1000 System (4" TPF)	03-958-X	446 kg (983 lbs)	1000 ton

XP-1000				
Description	Range	P/N	Weight	Load Rating
XP-1000 Slip Assembly	7"	03-1000-X	179 kg (394 lbs)	1000 ton
XP-1000 Slip Assembly	7.1/8"	03-1001-X	177 kg (391 lbs)	1000 ton

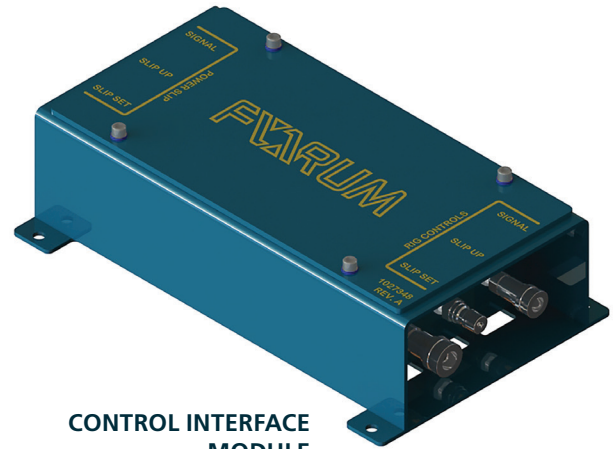
XP-1000 System

XP-1000 LIFTING SLINGS AND ACCESSORIES

Description	P/N
XP-1000 Lifting Sling	03-923*
XP XP-1000 LS Lifting Sling; 1/2" Cable	03-923-01
XP Bit Breaker Adapter	03-959
LDXL/XP Slip Adapter kit	26-207-A**
Intermediate Hose Set	1052731***
Intermediate Hose Set w/ Down Sensor	1052750***
XP-1000 BackSaver Stand	1017196***
Control Interface module, Power Slips	1027337
Hydraulic valve Stand	26-832-ASSY
Replacement T-Bar (Load Tested)	1151049

XP-1000 INSERTS (30 REQUIRED PER SLIP SET)

Range	P/N	Weight per Set
3.1/2"	1046515	85 kg (187 lbs)
4"	03-1000-503	73 kg (160 lbs)
4.1/2"	03-1000-504	73 kg (160 lbs)
5"	03-1000-505	65 kg (143 lbs)
5.1/2"	03-1000-510	56 kg (123 lbs)
5.875"	03-1000-515	49 kg (107 lbs)
6.625"	03-1000-520	32 kg (71 lbs)
6.906"	03-1000-523	27 kg (59 lbs)
7"	03-1000-525	25 kg (54 lbs)
7.125"	03-1000-530	22 kg (48 lbs)



CONTROL INTERFACE MODULE

* Lifting sling included with XP-1000 master bushing Assemblies
 **Slip Adapter kit included in XP-1000 Slip assemblies
 ***Items are included with XP-1000 Backsaver Assemblies

Manual Drill Collar Slips

Description

FORUM Drill Collar Slips are designed for use in API bowls to grip and fix pipes vertically. They have a multisegment design and are made of alloy steel which is heat-treated for strength and wear resistance.

Features

- Manufactured in accordance with API 7k latest Edition
- Load Rating from 100 up to 650 ton
- Pipe range from 2.3/8" – 11.3/4"



DCM



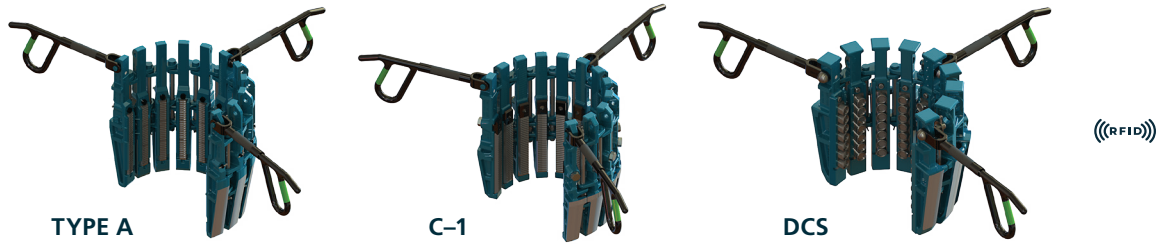
MULTISEGMENT DRILL COLLAR SLIP (DCS)			
API Pipe Size	Slip Assembly	Used Inside Bowl	Load Rating
3" – 4"	84 110-X	Bowl #3	160 ton
4" – 4.7/8"	84 120-X	Bowl #3	160 ton

MULTISEGMENT DRILL COLLAR SLIP (DCM)			
API Pipe Size	Slip Assembly	Used Inside Bowl	Load Rating
4.1/2" – 6"	85 110-X	Bowl #3	270 ton
5.1/2" – 7"	85 120-X	Bowl #3	270 ton

MULTISEGMENT DRILL COLLAR SLIP (DCL)			
API Pipe Size	Slip Assembly	Used Inside Bowl	Load Rating
6.3/4" – 8.1/4"	86 120-X	Bowl #3	210 ton
8" – 9.1/2"	86 130-X	Bowl #3	220 ton
8.1/2" – 10"	86 140-X	Bowl #2	240 ton
9.1/4" – 11.1/4"	86 150-X	Bowl #2	260 ton
11" – 12.3/4"	86 160-X	Bowl #1	320 ton
12" – 14"	86 170-X	Bowl #1	360 ton

All Blohm + voss Slips have an API Taper of 4" In/ft on the diameter

Manual Drill Collar Slips



Type A Series:

P/N*	Pipe Size (in.)	Total Segments	Hinge Pins	Insert P/N	Required No. of Inserts (3/seg.)	Load Rating (sTons)	Weight (lbs)
20-111-X	3 - 4.1/4"	7	6	20-103	21	100	94
20-111-1-X	3.3/4 - 4.3/4"	8	7	20-103	24	100	113
20-112-X	4.1/2 - 5.3/4"	9	8	20-103	27	100	119
20-113-X	5.1/2 - 7"	10	9	20-103	30	100	118
20-114-X	6.3/4 - 8.1/4"	11	10	20-103	33	125	127
20-115-X	8.1/4 - 10"	12	11	20-103	36	125	126
20-116-X	10 - 11.3/4"	15	14	20-103	45	175	171

*Replace the -X at the end of the part number with -F-X for Flex Handle option.

C-1 Series:

P/N*	Pipe Size (in.)	Total Segments	Hinge Pins	Insert P/N	Required No. of Inserts (1/seg.)	Load Rating (sTons)	Weight (lbs)
08-111-X	3 - 4.1/2"	8	7	08-105	8	100	135
08-112-X	4.1/2 - 5.3/4"	10	9	08-105	10	200	139
08-113-X	5.1/2 - 7"	12	11	08-105	12	225	150
08-114-X	6.3/4 - 8.1/4"	12	11	08-105	12	150	133
08-115-X	8.1/2 - 10"	12	11	08-105	12	100	104
08-116-X	10 - 11.1/4"	17	16	08-105	17	200	188
08-117-X	11.1/4 - 12.3/4"	19	18	08-105	19	375	236

*Replace the -X at the end of the part number with -F-X for Flex Handle option.

Flex Handles f/ Type A & C-1:

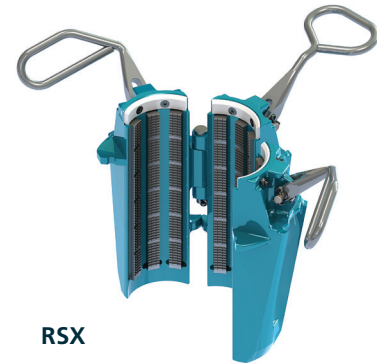
P/N:	Description:	Slips Type:
08-136	Safety Flex Handle	Type A & C-1

DCS Series:

P/N*	Type	Pipe Size (in.)	Total Segments	Hinge Pins	Insert P/N:	Required No. of Inserts**	Load Rating (sTons)	Weight (lbs)
16-120-X	DCS-S	3 - 4"	7	6	14-628	49	140	117
16-121-X	DCS-S	4 - 4.7/8"	7	6	14-620	49	140	111
16-122-X	DCS-R	4.1/2 - 6"	9	8	14-628	63	180	131
16-123-X	DCS-R	5.1/2 - 7"	9	8	14-620	63	180	128
16-125-X	DCS-L	5.1/2 - 7"	11	10	14-513	88	220	174
16-126-X	DCS-L	6.3/4 - 8.1/4"	11	10	14-619	88	220	159
16-127-X	DCS-L	8 - 9.1/2"	12	11	14-630	96	240	174
16-128-X	DCS-L	8.1/2 - 10"	13	12	14-627	104	260	197
16-129-X	DCS-L	9.1/4 - 11.1/4"	14	13	14-630	112	280	202
16-130-X	DCS-L	11 - 12.3/4"	17	16	14-625	136	340	266
16-131-X	DCS-L	12 - 14"	17	16	14-630	136	340	246

*Replace the -X at the end of the part number with -F-X for Flex Handle option. **DCS-S & DCS-R: 7 inserts/seg. DCS-L: 8 inserts/seg.

Manual Rotary Slips

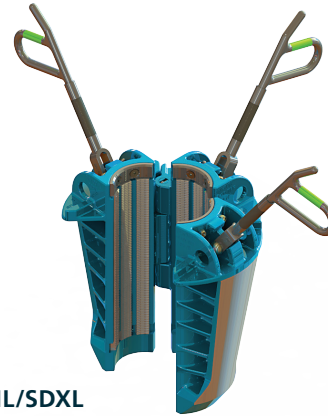


RSM ROTARY SLIP					
API Pipe Size	Slip Body Size	Slip Assembly c/w Inserts	Inserts P/N	Inserts Qty.	Load Rating
2.3/8"	3.1/2"	82 110-2-X	80 110	30	200 ton
2.7/8"	3.1/2"	82 120-2-X	80 111	30	200 ton
3.1/2"	3.1/2"	82 130-2-X	80 112	30	200 ton

RSX ROTARY SLIP					
API Pipe Size	Slip Body Size	Slip Assembly c/w Inserts	Inserts P/N	Inserts Qty.	Load Rating
3.1/2"	4.1/2"	83 210-2-X	80 113	54	275 ton
4"	4.1/2"	83 220-2-X	80 114	54	275 ton
4.1/2"	4.1/2"	83 230-2-X	80 115	54	275 ton
4"	5"	83 310-2-X	80 118	54	275 ton
4.1/2"	5"	83 320-2-X	80 116	54	275 ton
5"	5"	83 330-2-X	80 117	54	275 ton
4.1/2"	5.1/2"	83 410-2-X	80 118	54	350 ton
5"	5.1/2"	83 420-2-X	80 119	54	350 ton
5.1/2"	5.1/2"	83 430-2-X	80 120	54	350 ton
5.3/4"	6.5/8"	83 550-2-X	270 808	54	275 ton
5.7/8"	6.5/8"	83 540-2-X	270 708	54	275 ton
6.5/8"	6.5/8"	83 520-2-X	270 109	54	275 ton
6"	7"	83 510-X	80 118	72	320 ton
6.5/8"	7"	83 520-X	80 122	72	320 ton
7"	7"	83 530-X	80 123	72	320 ton
6.906"	7.5/8"	83 555-X	350 710	72	275 ton
7.5/8"	7.5/8"	83 560-X	80 123	72	275 ton

LOAD RATED SLIP (LRS)								
API Pipe Size	Slip Body	Size Slip Assembly c/w Inserts	Inserts P/N	Inserts Qty.	Load Ring	Load Ring Qty.	Load Rating	
3.1/2"	4.1/2"	83 910-2-X	80 113	45	83 405-4	6	500 ton	
4"	4.1/2"	83 920-2-X	80 114	45	83 405-4	6	500 ton	
4.1/2"	4.1/2"	83 930-2-X	80 115	45	83 405-4	6	500 ton	
4.1/2"	5.1/2"	83 730-X	270 905 (80 118)	45	83 405-1	6	500 ton	
5"	5.1/2"	83 720-X	270 506 (80 119)	45	83 405-1	6	500 ton	
5.1/2"	5.1/2"	83 710-X	270 107 (80 120)	45	83 405-1	6	500 ton	
5.7/8"	6.5/8"	83 620-2-X	270 708	45	83 405-2	6	650 ton	
6.5/8"	6.5/8"	83 610-2-X	270 109	45	83 405-2	6	650 ton	
6.5/8"	7"	83 840-X	270 409	60	83 405-3	6	500 ton	
6.906"	7"	83 830-X	270 210	60	83 405-3	6	500 ton	
7"	7"	83 810-X	80 123	60	83 405-3	6	500 ton	
7.5/8"	7.5/8"	83 850-X	80 123	60	83 405-5	6	500 ton	

Manual Rotary Slips



((RFID))

SDML/SDXL

SD SERIES SLIPS LESS INSERTS

Type	P/N*	Slip Body Size	Load Rating	Weight
SDML	23-100-X	3.1/2"	125 ton	90 kg (199 lbs)
SDXL	24-200-X	4.1/2"	250 ton	106 kg (233 lbs)
SDXL	24-100-X	5"	200 ton	103 kg (228 lbs)
SDXL	24-300-X	5.1/2"	175 ton	96 kg (212 lbs)

SD SERIES SLIPS WITH INSERTS

Type	P/N*	Slip Size / Pipe Size	Load Rating	Weight
SDML	23-135-X	3.1/2" x 3.1/2"	125 ton	96 kg (211 lbs)
SDML	23-127-X	3.1/2" x 2.7/8"	125 ton	98 kg (217 lbs)
SDML	23-123-X	3.1/2" x 2.3/8"	125 ton	103 kg (226 lbs)
SDXL	24-245-X	4.1/2" x 4.1/2"	250 ton	116 kg (255 lbs)
SDXL	24-240-X	4.1/2" x 4"	250 ton	120 kg (265 lbs)
SDXL	24-235-X	4.1/2" x 3.1/2"	250 ton	125 kg (276 lbs)
SDXL	24-150-X	5" x 5"	200 ton	113 kg (250 lbs)
SDXL	24-145-X	5" x 4.1/2"	200 ton	118 kg (260 lbs)
SDXL	24-140-X	5" x 4"	200 ton	123 kg (271 lbs)
SDXL	24-355-X	5.1/2" x 5.1/2"	175 ton	116 kg (255 lbs)
SDXL	24-350-X	5.1/2" x 5"	175 ton	111 kg (244 lbs)
SDXL	24-345-X	5.1/2" x 4.1/2"	175 ton	116 kg (255 lbs)

*Replace the -X at the end of the part number with -F-X for Flex Handle option

*Replace the -X at the end of the part number with -BS-X for BackSaver option

Manual Rotary Slips

DU Series				
Type	P/N*	Slip Body Size	Load Rating	Weight (lbs)
DU Long	03-115-X	4.1/2"	150 ton	169
DU Long	03-117-X	5.1/2"	225 ton	189

*Replace the -X at the end of the part number with -F-X for Flex Handle option.

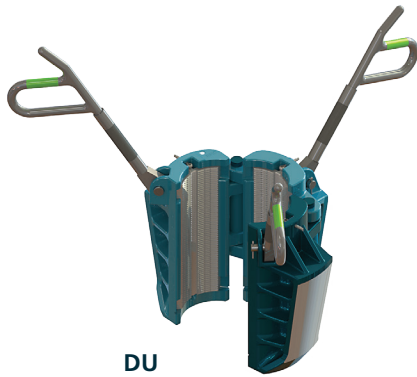
*Replace the -X at the end of the part number with -BS-X for BackSaver option.

DU Series Inserts				
P/N (Full Face)	P/N	Description	Slip Body Size	Weight (lbs)
03-210	03-120	4.1/2" X 4.1/2" DU INSERT	4.1/2"	0.8
03-213	N/A	4.1/2" X 4.3/8" DU INSERT	4.1/2"	0.9
03-216	03-138	4.1/2" X 4.1/4" DU INSERT	4.1/2"	0.9
03-219	03-137	4.1/2" X 4.1/8" DU INSERT	4.1/2"	1.1
03-221	03-121	4.1/2" X 4" DU INSERT	4.1/2"	1.2
03-224	03-128	4.1/2" X 3.3/4" DU INSERT	4.1/2"	1.4
03-227	03-122	4.1/2" X 3.1/2" DU INSERT	4.1/2"	1.6
03-229	N/A	4.1/2" X 3.3/8" DU INSERT	4.1/2"	1.7
03-228	N/A	4.1/2" X 3.1/4" DU INSERT	4.1/2"	1.8
03-230	03-139	4.1/2" X 3.1/8" DU INSERT	4.1/2"	1.9
03-231	N/A	4.1/2" X 3" DU INSERT	4.1/2"	1.9
03-233	03-123	4.1/2" X 2.7/8" DU INSERT	4.1/2"	2
03-236	03-124	4.1/2" X 2.3/8" DU INSERT	4.1/2"	2.6
03-237	03-125	4.1/2" 2.1/16" DU INSERT	4.1/2"	2.4
03-238	03-126	4.1/2" X 1.900" DU INSERT	4.1/2"	2.4
03-239	03-127	4.1/2" X 1.660" DU INSERT	4.1/2"	2.5
03-239-1	N/A	4.1/2" X 1" DU INSERT	4.1/2"	2.8
03-240	03-130	5.1/2" X 5.1/2" DU INSERT	5.1/2"	1
03-243	03-131	5.1/2" X 5" DU INSERT	5.1/2"	1.6
03-246	03-135	5.1/2" x 4.3/4" DU INSERT	5.1/2"	1.8
03-249	03-132	5.1/2" X 4.1/2" DU INSERT	5.1/2"	2.1
03-247	N/A	5.1/2" X 4.3/8" DU INSERT	5.1/2"	2.2
03-252	03-136	5.1/2" X 4.1/4" DU INSERT	5.1/2"	2.3
03-255	N/A	5.1/2" X 4.1/8" DU INSERT	5.1/2"	2.4
03-258	03-133	5.1/2" X 4" DU INSERT	5.1/2"	2.4
03-261	N/A	5.1/2" X 3.3/4" DU INSERT	5.1/2"	2.6
03-264	03-134	5.1/2" X 3.1/2" DU INSERT	5.1/2"	2.9
03-266	N/A	5.1/2" X 3.1/4" DU INSERT	5.1/2"	3
03-268	N/A	5.1/2" X 3.1/8" DU INSERT	5.1/2"	3.1
03-270	N/A	5.1/2" X 3" DU INSERT	5.1/2"	3.1
03-275	03-134-1	5.1/2" X 2.7/8" DU INSERT	5.1/2"	3.2
03-277	N/A	5.1/2" X 2.3/8" DU INSERT	5.1/2"	3.4
03-140-D*	03-140	7" X 7" DU INSERT	7"	1.3
03-141-D*	03-141	7" X 6.5/8" DU INSERT	7"	1.7
03-142-D*	03-142	7" X 5.1/2" DU INSERT	7"	3.2
03-143-D*	03-143	7" X 5" DU INSERT	7"	3.7
N/A	03-144	7" X 4.1/2" DU INSERT	7"	4.2
N/A	03-145	7" X 5.3/4" DU INSERT	7"	2.9
03-146-D*	03-146	7" X 5.7/8" DU INSERT	7"	2.7
03-147-D*	03-147	7" X 6.7/8" DU INSERT	7"	1.4
N/A	03-148	7" x 6.1/2" DU INSERT	7"	1.9

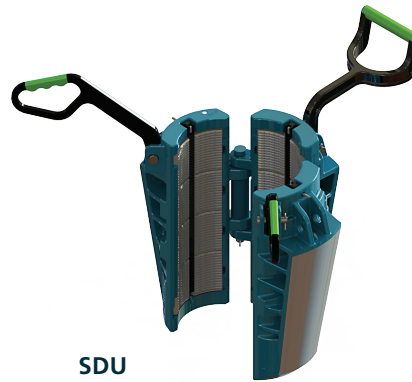
Note: DU Long regulars requires 24 inserts per set

*Inserts are Directional Inserts

Manual Rotary Slips



DU



SDU

SDU Series:

Type	P/N*	Slip Body Size	Load Rating	Weight (lbs)
SDU Long	03-112-SDU-X	5-1/2"	400 ton	210
SDU Long	03-119-SDU-X	7"	250 ton	208

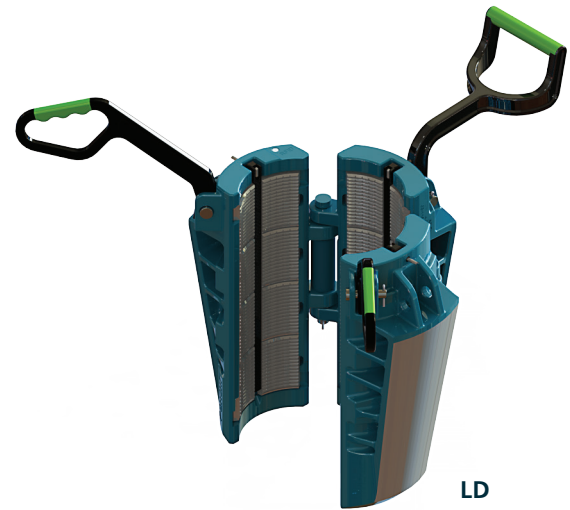
*Replace the -X at the end of the part number with -F-X for Flex Handle option.
 *Replace the -X at the end of the part number with -BS-X for BackSaver option.

SDU Series Inserts

P/N: FULL FACE	P/N	Description	Slip Body Size	Weight (lbs)
03-240	03-130	5.1/2" X 5.1/2" DU INSERT	5.1/2"	1
03-243	03-131	5.1/2" X 5" DU INSERT	5.1/2"	1.6
03-246	03-135	5.1/2" X 4.3/4" DU INSERT	5.1/2"	1.8
03-249	03-132	5.1/2" X 4.1/2" DU INSERT	5.1/2"	2.1
03-247	N/A	5.1/2" X 4.3/8" DU INSERT	5.1/2"	2.2
03-252	03-136	5.1/2" X 4.1/4" DU INSERT	5.1/2"	2.3
03-255	N/A	5.1/2" X 4.1/8" DU INSERT	5.1/2"	2.4
03-258	03-133	5.1/2" X 4" DU INSERT	5.1/2"	2.4
03-261	N/A	5.1/2" X 3.3/4" DU INSERT	5.1/2"	2.6
03-264	03-134	5.1/2" X 3.1/2" DU INSERT	5.1/2"	2.9
03-266	N/A	5.1/2" X 3.1/4" DU INSERT	5.1/2"	3
03-268	N/A	5.1/2" X 3.1/8" DU INSERT	5.1/2"	3.1
03-270	N/A	5.1/2" X 3" DU INSERT	5.1/2"	3.1
03-275	03-134-1	5.1/2" X 2.7/8" DU INSERT	5.1/2"	3.2
03-277	N/A	5.1/2" X 2.3/8" DU INSERT	5.1/2"	3.4
03-140-D*	03-140	7" X 7" DU INSERT	7"	1.3
03-141-D*	03-141	7" X 6.5/8" DU INSERT	7"	1.7
03-142-D*	03-142	7" X 5.1/2" DU INSERT	7"	3.2
03-143-D*	03-143	7" X 5" DU INSERT	7"	3.7
N/A	03-144	7" X 4.1/2" DU INSERT	7"	4.2
N/A	03-145	7" X 5.3/4" DU INSERT	7"	2.9
03-146-D*	03-146	7" X 5.7/8" DU INSERT	7"	2.7
03-147-D*	03-147	7" X 6.7/8" DU INSERT	7"	1.4
N/A	03-148	7" X 6.1/2" DU INSERT	7"	1.9

Note: SDU Long requires 24 Inserts per set. *Inserts are Directional Inserts

Manual Rotary Slips



LD Series:				
Type	P/N*	Slip Body Size	Load Rating	Weight (lbs)
LD	03-500-LD-X	7"	500 ton	200

*Replace the -X at the end of the part number with -F-X for Flex Handle option.
*Replace the -X at the end of the part number with -BS-X for BackSaver option.

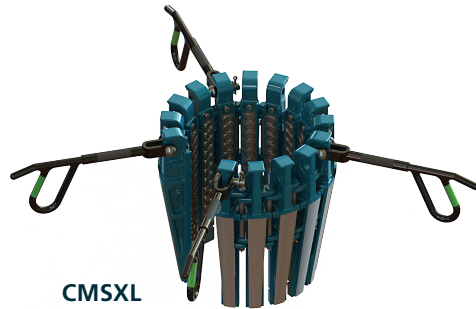
LD Series Inserts:				
P/N	Description	Slip Body Size	Weight (lbs)	
03-504	7" X 4.1/2" LD/LDXL Insert	7"	4.4	
03-505	7" X 5" LD/LDXL Insert	7"	3.9	
03-510	7" X 5.1/2" LD/LDXL Insert	7"	3.4	
03-511-1	7" X 5.5/8" LD/LDXL Insert	7"	3.2	
03-515	7" X 5.7/8" LD/LDXL Insert	7"	2.9	
03-520	7" X 6.5/8" LD/LDXL Insert	7"	1.9	
03-523	7" X 6.906" LD/LDXL Insert	7"	1.6	
03-525	7" X 7" LD/LDXL Insert	7"	1.5	

7" LD Slip set takes 24 Inserts
7" LDXL Slip set takes 30 inserts

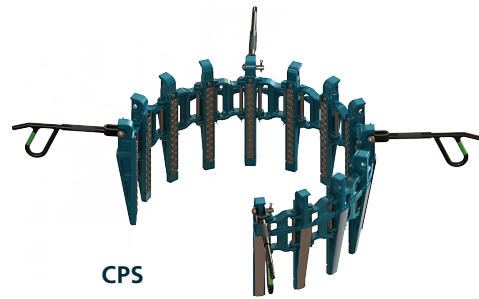
Flex Handles		
P/N	Description	Slips Type
03-300-1	Flex handle (Rear)	DU & SDU
03-300-2	Flex Handle (Front)	DU & SDU
03-300-3*	Flex handle (Rear)	DU & SDU
03-300-4*	Flex Handle (Front)	DU & SDU
08-136	Flex Handle	C1 & TYPE A
19-104-F	Safety Flex Handle	TYPE B
23-112	Safety Flex Handle	CMSXL, CMS-3, CPS, CPS-3, DCS, SD

*Flex handle without rubber mold over cable

Manual Casing Slips



CMSXL



CPS

((RFID))

CMSXL Series:

P/N*	Casing Size	Total Segments	Hinge Pins	Insert P/N	Required No. of Inserts (12/seg.)	Load Rating (ton)	Weight (lbs)
14-110-X	12.3/4"	17	16	14-630	204	340	270
14-111-X	6.5/8"	12	11	14-628	144	240	209
14-112-X	7"	12	11	14-619	144	240	203
14-113-X	7.5/8"	12	11	14-630	144	240	191
14-114-X	8.5/8"	13	12	14-630	156	260	206
14-115-X	9.5/8" - 9.7/8"	14	13	14-630	168	280	223
14-116-X	10.3/4"	15	14	14-630	180	300	239
14-117-X	11.3/4"	17	16	14-627	204	340	287
14-118-X	13.3/8" - 13.5/8"	18	17	14-630	216	360	286
14-119-X	16"	21	20	14-631	252	420	333
14-119-513-X	14.5"	21	20	14-513	252	420	374
14-120-X	18.5/8"	25	24	14-626	300	500	425
14-121-X	20"	26	25	14-631	312	500	411
14-122-X	24"	30	29	14-631	360	500	474
14-123-X	26"	33	32	14-631	396	500	521
14-124-X	30"	37	36	14-631	444	500	584
14-125-X	15"	20	19	14-631	240	400	317
14-126-X	14"	20	19	80158	240	400	356
14-127-X	36"	44	43	14-631	528	500	695
14-130-X	22"	28	27	14-631	336	500	443
14-131-X	28"	35	34	80158	420	500	553

*Replace the -X at the end of the part number with -F-X for Flex Handle option.

CPS Series:

P/N	Casing Size	Total Segments	Hinge Pins	Insert P/N	Required No. of Inserts (12/seg.)	Spacer	Load Rating (ton)	Weight (lbs)
14-244-X	24"	13	24	14-631	156	14-109	260	262
14-266-X	26"	14	26	14-631	168	14-109	280	282
14-330-X	30"	16	30	14-631	192	14-109	320	323
14-350-X	36"	18	34	14-631	216	14-109	360	363

*Replace the -X at the end of the part number with -F-X for Flex Handle option.

*All Slips 9.5/8" and larger are furnished with 4 handles. All parts are interchangeable with VARCO Type CMSXL Casing Slips.

**Replace the -X at the end of the part number with -F-X for Flex Handle option.

Flex Handles f/ CSMXL, CPS, CMS-3 & CPS-3:

P/N:	Description:	Slips Type:
23-112	Safety Flex Handle	CSMXL, CPS, CMS-3 & CPS-3

Manual Casing Slips

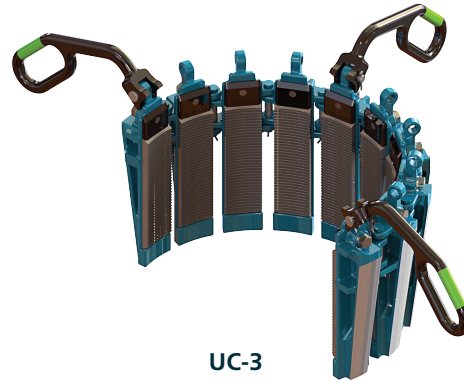


CSL

CSL-EXTRA LONG CASING SLIP					
API Pipe Size	Slip complete w/Circular Buttons P/N	Button P/N	Buttons Qty.	Used inside Bushing/ Bowl Description	Load Rating
6.5/8"	87 110-X	80 155	144	MPCH with Bowl #3	360 ton
7"	87 120-X	80 150	144	MPCH with Bowl #3	360 ton
7.5/8" and 7.3/4"	87 130-X	80 156	144	MPCH with Bowl #3	360 ton
8.5/8"	87 140-X	80 156	156	MPCH with Bowl #3	390 ton
9.3/8"	87 145-X	80 154	168	MPCH with Bowl #2	450 ton
9.5/8" – 10.1/8"	87 150-X	80 156	168	MPCH with Bowl #2	420 ton
10.3/4"	87 160-X	80 156	180	MPCH with Bowl #2	420 ton
11"	87 165-X	80 158	204	MPCH with Bowl #1	500 ton
11.3/4" and 11.7/8"	87 170-X	80 154	204	MPCH with Bowl #1	500 ton
12.3/4"	87 175-X	80 158	204	MPCH with Bowl #1	500 ton
13.3/8" and 13.1/2"	87 180-X	80 156	216	MPCH with Bowl #1	500 ton
13.5/8" and 14"	87 195-X	80 158	240	16" CB	500 ton
15"	87 196-X	80 158	264	16" CB	500 ton
16" and 16.3/4"	87 190-X	80 157	252	16" CB	500 ton
17.7/8" and 18"	87 205-X	80 158	288	20" CB	500 ton
18.5/8" and 18.3/4"	87 200-X	80 153	300	20" CB	500 ton
20"	87 210-X	80 157	312	20" CB	500 ton
22"	87 215-X	80 158	360	24" CB	500 ton
24"	87 220-X	80 157	360	24" CB	500 ton
24.1/2"	87 225-X	80 158	384	26" CB	500 ton
26"	87 230-X	80 157	396	26" CB	500 ton
28"	87 235-X	80 158	432	30" CB	500 ton
30"	87 240-X	80 157	444	30" CB	500 ton
36"	87 260-X	80 157	528	36" CB	500 ton
42"	87 280-X	80 157	612	42" CB	500 ton

CSC-CONDUCTOR PIPE SLIP					
API Pipe Size	Slip complete w/Circular Buttons P/N	Button P/N	Buttons Qty.	Used inside Bushing/ Bowl Description	Load Rating
24"	88 110-X	80 157	156	24" CB	390 ton
26"	88 120-X	80 157	168	26" CB	420 ton
28"	88 125-X	80 158	180	30" CB	450 ton
30"	88 130-X	80 157	192	30" CB	480 ton
32"	88 140-X	80 157	204	36" CB	500 ton
36"	88 160-X	80 157	228	36" CB	500 ton

Manual Casing Slips



UC-3

UC-3 Series:								
P/N (Blank)	P/N (w/ Inserts)	Slip Size	Casing Size	Total Segments	Hinge Pins	Insert P/N	Load Rating (ton)	Weight (lbs)
7704-103-X	7704-5028-X	10.3/4"	10.3/4"	10	9	7704-A-8	500	183
	7704-5029-X		9.5/8"	10	9	7704-A-9	500	219
7704-104-X	7704-5025-X	13.3/8"	13.3/8" - 13.5/8"	12	11	7704-A-38	300	207
	7704-5026-X		12.3/4"	12	11	7704-A-92	300	207
	7704-5027-X		11.3/4"	12	11	7704-A-39	300	276
7704-106-X	7704-5036-X	16"	16"	14	13	7704-A-99	350	244
7704-110-X	7704-5034-X	20"	20"	17	16	7704-A-99	425	291
	7704-5035-X		18.5/8"	17	16	7704-A-5000	425	378
7704-5009-X	7704-5001-X	24"	24"	19	18	7704-A-99	475	323
	7704-5002-X		22.1/2"	19	18	7704-A-5000	475	419
7704-5010-X	7704-5006-X	26"	26"	21	20	7704-A-100	500	356
7704-5011-X	7704-5005-X	30"	30"	24	23	7704-A-100	500	404
7704-5013-X	7704-5007-X	36"	36"	28	27	7704-A-100	500	479
7704-5018-X	7704-5019-X	42"	42"	32	31	7704-A-100	500	543

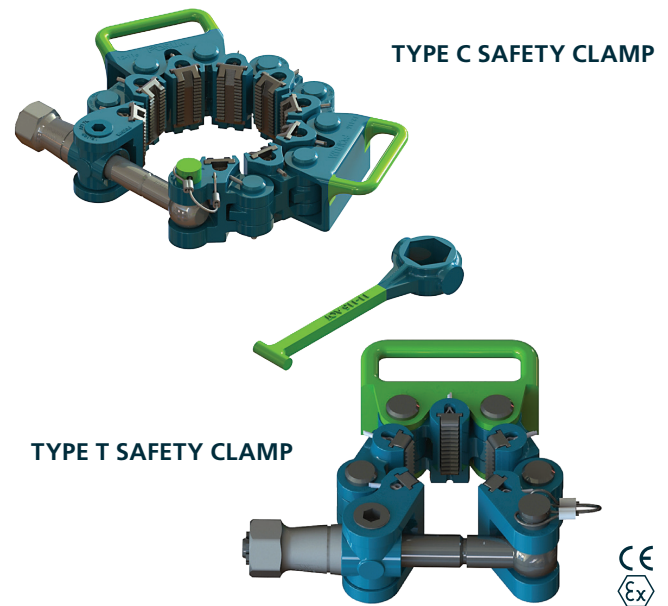
Safety Clamps

Description

FORUM Type C Safety Clamps are multi-segment safety clamps designed to help guard against dropping a wide range of flush-joint pipe, streamlined drill collars, tubings, etc. into the hole while making-up or breaking-out the string. Pipe size ranges from 1.1/8" – 43" with the proper number of segments and inserts. Each link changes the effective gripping diameter of the clamp by 1".

Features

- Spring loaded tapered inserts
- Uniform gripping pressure around the Pipe
- Removable end link pin
- Available storage box
- Available with lift clevis for easy handling above rig floor (some models)



TYPE T SERIES					
Type	Range	P/N*	Required # of Links	Weight	Storage Box P/N
T	1.1/8" – 2"	11-125-01	4	16 kg (36 lbs)	11-120
T	2.1/8" – 3.1/4"	11-126-01	5	18 kg (40 lbs)	11-120
T	3.1/2" – 4.1/2"	11-127-01	6	20 kg (44 lbs)	11-120

TYPE C SERIES					
Type	Range	P/N*	Required # of Links	Weight	Storage Box P/N
CR	3.3/4" – 4.5/8"	12-127-01	7	21 kg (46 lbs)	11-120
CR	4.1/2" – 5.5/8"	12-128-01	8	25 kg (55 lbs)	11-120
CR	5.1/2" – 6.5/8"	12-129-01	9	27 kg (60 lbs)	11-120
CR	6.1/2" – 7.5/8"	12-130-01	10	29 kg (64 lbs)	11-120
CR	7.1/2" – 8.5/8"	12-131-01	11	31 kg (69 lbs)	11-120
CR	8.1/2" – 9.5/8"	12-132-01	12	33 kg (73 lbs)	11-120
CR	9.1/2" – 10.5/8"	12-133-01	13	35 kg (78 lbs)	11-120
CL	10.1/2" – 11.5/8"	12-134-01	14	37 kg (82 lbs)	11-120
CL	11.1/2" – 12.5/8"	12-135-01	15	40 kg (87 lbs)	11-120
CL	12.1/2" – 13.5/8"	12-136-01	16	41 kg (91 lbs)	11-120
CL	13.1/2" – 14.5/8"	12-137-01	17	52 kg (115 lbs)	11-120
CL	14.1/2" – 15.5/8"	12-138-01	18	54 kg (119 lbs)	11-120
CXL	15.1/2" – 17"	12-145-01	18	55 kg (121 lbs)	11-120
CXL	16.1/2" – 18"	12-146-01	19	57 kg (125 lbs)	11-120
CXL	17.1/2" – 19"	12-147-01	20	59 kg (129 lbs)	31-334
CXL	18.1/2" – 20"	12-148-01	21	61 kg (134 lbs)	31-334
CXL	19.1/2" – 21"	12-149-01	22	63 kg (139 lbs)	31-334

Available Types

CR: Single Screw CL: Single Screw CXL: Double Screw

*Add -B to the end of the Part Number to include Storage Box NOTE: Safety Clamps are not to be used as a lifting device

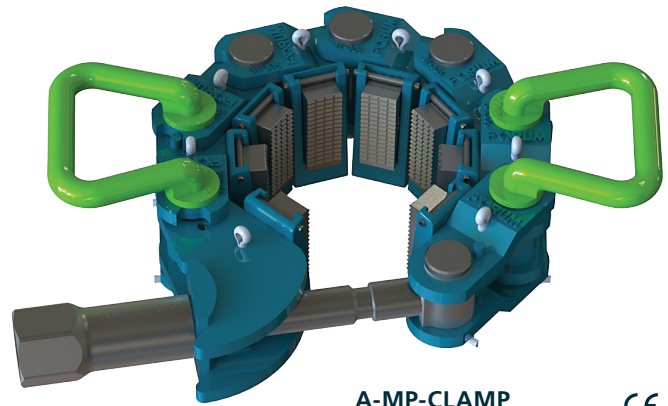
Safety Clamps



Type C Series w/ Lifting Clevis					
P/N*	Type	Size Range	Required No. of Links	Storage Box P/N	Weight
12-150-01	CL	10.1/2" - 11.5/8"	14	31-334	39 kg (85 lbs)
12-151-01	CL	11.1/2" - 12.5/8"	15	31-334	40 kg (89 lbs)
12-152-01	CL	12.1/2" - 13.5/8"	16	31-334	43 kg (94 lbs)
12-153-01	CL	13.1/2" - 14.5/8"	17	31-334	45 kg (99 lbs)
12-154-01	CL	14.1/2" - 15.5/8"	18	31-334	47 kg (104 lbs)
12-155-01	CXL	15.1/2" - 17"	18	31-334	52 kg (114 lbs)
12-156-01	CXL	16.1/2" - 18"	19	31-334	54 kg (119 lbs)
12-157-01	CXL	17.1/2" - 19"	20	31-334	56 kg (124 lbs)
12-158-01	CXL	18.1/2" - 20"	21	31-334	59 kg (129 lbs)
12-159-01	CXL	19.1/2" - 21"	22	31-334	61 kg (135 lbs)
12-160-01	CXL	21.1/8" - 23"	24	31-334	66 kg (145 lbs)
12-161-01	CXL	24.1/8" - 26"	27	31-334	78 kg (171 lbs)
12-162-01	CXL	29.1/2" - 31"	32	31-334	87 kg (191 lbs)
12-163-01	CXL	35.1/2" - 37"	38	31-334	99 kg (219 lbs)
12-164-01	CXL	41.1/2" - 43"	44	31-334	108 kg (238 lbs)

*Add -B to the end of the part number to include storage box.
 NOTE: Safety Clamps are not to be used as a lifting device.

Safety Clamps



A-MP-CLAMP



TYPE A-MP SERIES					
Type	Range	P/N*	Required # of Links	Weight	Storage Box P/N
A-MP-S	2.7/8" – 4.1/8"	31-009	7	58 kg (128 lbs)	11-120
A-MP-S	4" – 5"	31-010	8	60 kg (133 lbs)	11-120
A-MP-R	4.1/2" – 5.5/8"	31-011	7	54 kg (120 lbs)	11-120
A-MP-R	5.1/2" – 7"	31-012	8	59 kg (130 lbs)	11-120
A-MP-R	6.3/4" – 8.1/4"	31-013	9	63 kg (138 lbs)	11-120
A-MP-R	8" – 9.1/4"	31-014	10	67 kg (147 lbs)	11-120
A-MP-R	9.1/4" – 10.1/2"	31-015	11	70 kg (155 lbs)	11-120
A-MP-M	10.1/2" – 11.1/2"	31-016	12	74 kg (163 lbs)	11-120
A-MP-M	11.1/2" – 12.1/2"	31-017	13	78 kg (171 lbs)	11-120
A-MP-M	12.1/2" – 13.5/8"	31-018	14	81 kg (179 lbs)	31-334
A-MP-M	13.5/8" – 14.3/4"	31-019	15	85 kg (187 lbs)	31-334
A-MP-M	14.3/4" – 15.7/8"	31-020	16	89 kg (195 lbs)	31-334
A-MP-L	15.7/8" – 17"	31-021	17	98 kg (215 lbs)	31-334
A-MP-L	17" – 18.1/2"	31-022	18	101 kg (223 lbs)	31-334
A-MP-L	18.1/8" – 19.3/8"	31-023	19	105 kg (231 lbs)	31-334
A-MP-XL	19.3/8" – 20.3/8"	31-024	19	127 kg (280 lbs)	31-334
A-MP-XL	20.3/8" – 21.1/2"	31-025	20	131 kg (288 lbs)	31-334
A-MP-XL	21" – 22.5/8"	31-032	21	134 kg (296 lbs)	31-334
A-MP-XL	22.5/8" – 23.3/4"	31-033	22	138 kg (304 lbs)	31-334
A-MP-XL	23.3/4" – 24.7/8"	31-034	23	142 kg (312 lbs)	31-334
A-MP-XL	24.7/8" – 26"	31-035	24	145 kg (320 lbs)	31-334
A-MP-XL	26" – 27.1/8"	31-036	25	149 kg (328 lbs)	31-334
A-MP-XL	29.3/8" – 30.1/2"	31-039	28	152 kg (336 lbs)	31-334
A-MP-XL	35" – 36.1/8"	31-044	32	160 kg (352 lbs)	31-334

*Storage Boxes are included with the base A-MP assembly NOTE: Safety Clamps are not to be used as a lifting device

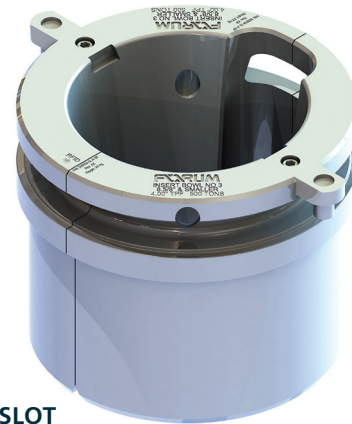
Master Bushings, RT-Adapters & Bowls

Description

FORUM master Bushings and Adapters are available for the most common Rotary Table types and sizes. Special solutions are available on request.

Features

- For Load Ratings up to 1500 ton
- For Rotary Table sizes from 27.1/2" up to 75.1/2"
- All Bowls are available with slots for liner
- Bowls have a 4" taper



BOWL WITH SLOT



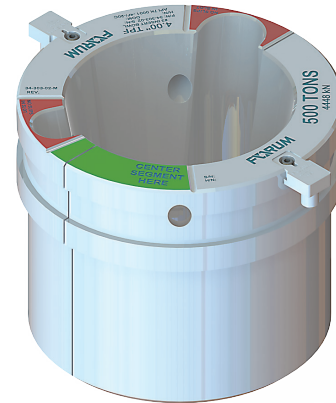
MASTER BUSHINGS				
Type	P/N	RT Brand	RT size	Load Rating
Hinged Master Bushing MPCH*	553 410-X	Emsco	49.1/2"	750 ton
Hinged Master Bushing MPCH*	553 350-X	NOV	37.1/2"	500 ton
Hinged Master Bushing MPCH*	553 340-X	Emsco	37.1/2"	500 ton
Hinged Master Bushing MPCH*	553 300-X	Wirth	37.1/2"	500 ton
Solid Body Pin Drive master Bushing, MSPC	553 560-X	National	27.1/2"	upon request

BOWLS				
Type	P/N	Pipe size	RT size	Load Rating
Bowl #3	556 608-X**	8.5/8" & smaller	37.1/2"	750 ton
Bowl #2	556 609-X**	10.3/4" – 9.5/8"	37.1/2"	750 ton
Bowl #1	556 610-X**	13.3/8" – 11.3/4"	37.1/2"	750 ton
Bowl #3	551 810-X**	8.5/8" & smaller	27.1/2"	500 ton
Bowl #2	551 904-X**	10.3/4" – 9.5/8"	27.1/2"	500 ton
Bowl #1	551 903-X**	13.3/8" – 11.3/4"	27.1/2"	500 ton

RT-ADAPTERS				
Type	P/N	RT Brand	RT size	Load Rating
Split Adapter	553 285-X	NOV/NOV	75.1/2" x 49.1/2"	1500 ton
Solid Adapter	553 220-X	NOV/NOV	60.1/2" x 49.1/2"	1500 ton
Hinged Adapter	553 230-X	NOV/NOV	60.1/2" x 49.1/2"	350 ton
Split Adapter	553 290-X	NOV/NOV	60.1/2" x 49.1/2"	1500 ton
Solid Adapter	553 200-X	NOV/NOV	49.1/2" x 37.1/2"	1000 ton
Hinged Adapter	553 210-X	NOV/NOV	49.1/2" x 37.1/2"	upon request
Solid Adapter	553 240-X	NOV/Oilwell/Wirth	49.1/2" x 37.1/2"	upon request
Split Adapter	553 295-X	NOV/Lewco	49.1/2" x 37.1/2"	1000 ton
Split Adapter	553 260-X	NOV/Oilwell/Wirth	49.1/2" x 37.1/2"	1000 ton
Hinged Adapter	553 250-X	NOV/Oilwell/Wirth	49.1/2" x 37.1/2"	upon request
Solid Adapter	553 245-X	Wirth/Oilwell/Wirth	49.1/2" x 37.1/2"	upon request
Solid Adapter	553 270-X	NOV/API	37.1/2" x 27.1/2"	upon request
Split Adapter	553 280-X	NOV/NOV	37.1/2" x 27.1/2"	upon request
Hinged Adapter	553 265-X	NOV/NOV	37.1/2" x 27.1/2"	upon request
Solid Adapter	553 275-X	Emsco/NOV	37.1/2" x 27.1/2"	750 ton

*incl. Bowl #3, Liftings Slings & Bit Breaker Adapter Plate **add „-L“ for 120 mm Slot for Liner, -SL for 153 mm slot

Insert Bowls



DUAL UMBILICAL #3

Insert Bowls, 23" - 27 1/2" Master Bushings			
P/N	Description	Load Rating	Weight
34-101-X	#1 Insert Bowl for 13 3/8" - 11 3/4"	500 ton	145 kg (320 lbs)
34-102-X	#2 Insert Bowl for 9 5/8" - 10 3/4"	500 ton	246 kg (542 lbs)
34-103-X	#3 Insert Bowl for 8 5/8" & Smaller	500 ton	394 kg (868 lbs)

Insert Bowls, 37 1/2" - 49 1/2" Master Bushings			
P/N	Description	Load Rating	Weight
34-301-X	#1 Insert Bowl for 13 3/8" - 11 3/4"	500 ton	147 kg (323 lbs)
34-302-X	#2 Insert Bowl for 9 5/8" - 10 3/4"	500 ton	247 kg (545 lbs)
34-303-X	#3 Insert Bowl for 8 5/8" & Smaller	500 ton	395 kg (870 lbs)
34-303-01-X	#3 Insert Bowl w/ Umbilical Slot for 8 5/8" & Smaller	500 ton	376 kg (828 lbs)
34-303-02-X	#3 Insert Bowl w/ Dual Umbilical Slot for 8 5/8" & Smaller	500 ton	352 kg (775 lbs)
34-303-05-X	#3 Insert Bowl w/ Dual Umbilical Slot for 8 5/8" & Smaller	1000 ton	342 kg (753 lbs)

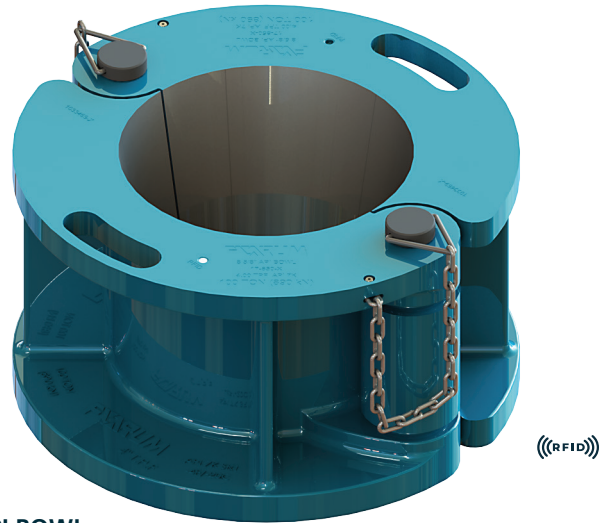
API Bowl

Description

The FORUM API Bowl has the same thru bore and taper as the API #3 insert bowl with pipe sizes from 2.1/16" – 8.5/8" and a 100 ton load rating.

Features

- Standard API 4" TPF
- Hinged design



API BOWL

8.5/8" API BOWL

Description	P/N	Weight	Load Rating
8.5/8" API Bowl	17-850-X	227 kg (500 lbs)	100 ton

Casing Bushings & Hinged Casing Spiders

Description

FORUM Hinged Casing Spiders (HCS) and Casing Bushings (CB) are used for casing operations with manual rotary slips. The HCS is placed on top of the rotary table or structure, the CB is inserted into the rotary table.

Features

- Pipe sizes from 2.3/8" up to 42"
- Load ratings from 200 up to 500 ton
- Fits in 37.1/2" RT



CASING BUSHING

((RFID))



CASING BUSHINGS				
Type	P/N	RT Brand	Pipe Size	Load Rating
Split Casing Bushing	553 727-X	NOV	30"	500 ton
Split Casing Bushing	553 727-2-X	Oilwell/Wirth	30"	500 ton
Split Casing Bushing	553 726-X	NOV	26"	500 ton
Split Casing Bushing	553 726-2-X	Oilwell/Wirth	26"	500 ton
Split Casing Bushing	553 725-X	NOV	24"	500 ton
Split Casing Bushing	553 725-2-X	Oilwell/Wirth	24"	500 ton
Split Casing Bushing	553 745-X	NOV	22"	500 ton
Split Casing Bushing	553 720-X	Emsco	20" – 18.5/8"	500 ton
Split Casing Bushing	553 720-1-X	NOV	20" – 18.5/8"	500 ton

Casing Bushings & Hinged Casing Spiders

HINGED CASING SPIDERS			
Type	P/N	Pipe Size	Load Rating (ton)
HCS-200 for 42" Pipe size			
Reducing Bushing	553 650-X	42"	200
Reducing Bushing for 42" x 40"	553 660-X	42" x 40"	200
Reducing Bushing for 42" x 36" Pipe size	553 651-X	42" x 36"	200
HCS-200 for 36" Pipe size			
Reducing Bushing for 36" x 32" Pipe size	553 492-X	36"	200
Reducing Bushing for 36" x 30" Pipe size	553 497-X	36" x 32"	200
Reducing Bushing for 36" x 30" Pipe size	553 493-X	36" x 30"	200
Reducing Bushing for 36" x 26" Pipe size	553 494-X	36" x 26"	200
Reducing Bushing for 36" x 24" Pipe size	553 499-X	36" x 24"	200
Reducing Bushing for 36" x 20" – 18.5/8" Pipe size	553 498-X	36" x 20"	200
HCS-200 for 30" Pipe size 553 480-X 30" 200 ton			
Reducing Bushing for 30" x 28" Pipe size	553 480-X	30" x 28"	200
HCS-200 for 20" – 18.5/8" Pipe size			
Reducing Bushing for 20" x 16" Pipe size	553 490-X	20" – 18.5/8"	200
Reducing Bushing for 20" x 16" Pipe size	553 630-X	20" x 16"	200
Reducing Bushing for 20" x 13.3/8" – 11.3/4" Pipe size	553 475-X	20" x 13.3/8" – 11.3/4"	200
Reducing Bushing for 13.3/8" x 10.3/4" – 9.5/8"	553 610-X	13.3/8" x 10.3/4" – 9.5/8"	200
(used with Reducing Bushing 20" x 13.3/8" – 11.3/4")			
Reducing Bushing for 13.3/8" x 8.5/8" – 2.3/8"	553 611-X	13.3/8" x 8.5/8" – 2.3/8"	200
(used with Reducing Bushing 20" x 13.3/8" – 11.3/4")			
HCS-200 for 13.3/8" – 11.3/4" Pipe size			
Reducing Bushing for 13.3/8" x 10.3/4" – 9.5/8"	553 600-X	13.3/8" – 11.3/4" 200 ton	
Reducing Bushing for 13.3/8" x 10.3/4" – 9.5/8"	553 610-X	13.3/8" x 10.3/4" – 9.5/8"	200
Reducing Bushing for 13.3/8" x 8.5/8" – 2.3/8"	553 611-X	13.3/8" x 8.5/8" – 2.3/8"	200
HCS-350 for 36" Pipe size 553 670-X 36" 350 ton			
Reducing Bushing for 36" x 32"	553 675-X	36" x 32"	350
Reducing Bushing for 36" x 30"	553 677-X	36" x 30"	350
Reducing Bushing for 36" x 26"	553 462-X	30" x 26"	500
Reducing Bushing for 36" x 24"	553 463-X	30" x 24"	500
Reducing Bushing for 36" x 20" – 18.5/8"	553 464-X	30" x 20" – 18.5/8"	500
Reducing Bushing for 20" x 16"	552 465-X	20" x 16"	500
Reducing Bushing for 20" x 13.3/8" – 11.3/4"	553 736-X	20" x 13.3/8" – 11.3/4"	500
HCS-350 for 13.3/8" – 11.3/4" Pipe size			
Reducing Bushing for 13.3/8" x 8.5/8" – 2.3/8"	553 615-X	13.3/8" – 11.3/4"	350
Reducing Bushing for 13.3/8" x 8.5/8" – 2.3/8"	553 618-X	13.3/8" x 8.5/8" – 2.3/8"	350
HCS-500 for 30" Pipe size			
Reducing Bushing for 30" x 26"	553 460-X	30"	500
Reducing Bushing for 30" x 26"	553 462-X	30" x 26"	500
Reducing Bushing for 30" x 24"	553 463-X	30" x 24"	500
Reducing Bushing for 30" x 20" – 18.5/8"	553 464-X	30" x 20" – 18.5/8"	500
Reducing Bushing for 20" x 16"	552 465-X	20" x 16"	500
(used with Reducing Bushing 30" x 20" – 18.5/8")			
HCS-500 for 20" – 18.5/8"			
Reducing Bushing for 20" x 16"	553 485-X	20" – 18.5/8"	500
Reducing Bushing for 20" x 16"	552 465-X	20" x 16"	500
Reducing Bushing for 20" x 13.3/8" – 11.3/4"	553 736-X	20" x 13.3/8" – 11.3/4"	500
Reducing Bushing for 13.3/8" x 10.3/4" – 9.5/8"	553 737-X	13.3/8" x 10.3/4" – 9.5/8"	500
(used with Reducing Bushing 20" x 13.3/8" – 11.3/4")			
Reducing Bushing for 20" x 10.3/4" – 9.5/8"	553 738-X	20" x 10.3/4" – 9.5/8"	500

Rotating Mousehole

Description

The FORUM Rotating mousehole is a pneumatically/ hydraulically operated power tool used to quickly and effectively make-up and set back stands of drill pipe, while simultaneously drilling. It can also be used to break-out and lay down excess pipe that has been left in the derrick. Though it does not make-up pipe to full torque, it does shoulder the connection to 1500 ft/lbs eliminating multiple torque cycles.

Features

- Pneumatic and hydraulic models available
- Eliminates the need for spinning wrenches
- Moves spinning operations below the rig floor
- Reduces personnel



I9000-PM



ROTATING MOUSHOLE TOOL		
Description	P/N	Weight
Pneumatic Rotating Moushole Tool	I9000-PM	472 kg (1040 lbs)
Hydraulic Rotating Moushole Tool	I9000-HPM	520 kg (1147 lbs)

ROTATING MOUSHOLE ACCESSORIES	
Description	P/N
Bowl Puller	I9000*
Landing and Retrieving Tool	I9002*
Pneumatic Control Valve	1040527*
Hydraulic Control Valve	I9586-ASSY*
5 Ton Spring Hanger	I9001

*Item included in Mousehole Assembly

Kelly Spinner

Description

The FORUM A6 Kelly Spinner is a self-contained, direct drive unit, with two external pneumatic or hydraulic motors. Kelly Spinners can be used for rotating drill pipe slowly, for limited rathole and mousehole drilling and making fast Kelly connections. These units are completely reversible allowing the driller to spin-in, as well as spin-out, when making connections.

Features

- 350 ton rating
- Pneumatic and hydraulic models available
- Dual motor systems for right and left hand rotation
- Variable speed
- Multiple thread relief styles available
- Multiple sub materials available



IA6C600

A6 KELLY SPINNER		
Description	P/N	Weight
Pneumatic Kelly Spinner w/4340 Sub w/Stress Relief	IA6C600	530 kg (1169 lbs)
Hydraulic Kelly Spinner w/4340 Sub w/Stress Relief	IA6H600	550 kg (1213 lbs)
Pneumatic Kelly Spinner w/4145H Sub w/Stress Relief	1040144	530 kg (1169 lbs)
Hydraulic Kelly Spinner w/4145H Sub w/Stress Relief	1148740	550 kg (1213 lbs)
Pneumatic Kelly Spinner w/4340 Sub w/Bore Back	1046250	526 kg (1159 lbs)
Hydraulic Kelly Spinner w/4340 Sub w/Bore Back	1148739	546 kg (1204 lbs)
Pneumatic Kelly Spinner w/4145H Sub w/Bore Back	1053802	526 kg (1159 lbs)
Hydraulic Kelly Spinner w/4145H Sub w/Bore Back	1148741	546 kg (1204 lbs)

A6 KELLY SPINNER ACCESSORIES	
Description	P/N
Pneumatic Control Valve	1045417*
Hydraulic Control Valve	1047629*
Hydraulic Direction Valve	1048558*
Lift Bail	1046502*
Turnbuckle	1043967*

*Item included in Kelly Spinner Assembly

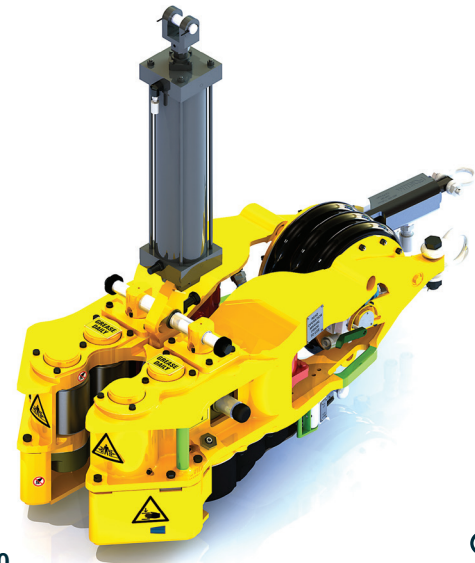
Pipe Spinners

Description

FORUM Pipe Spinners are durable, easy to use and designed for safety and longevity. The compact designs are self-contained, requiring no dedicated power source.

Features

- Pipe sizes from 3.1/2" – 9.1/2"
- Adapter for 2.7/8" available for some models
- Power Units available on request



SSQ 40



GRAYCHAIN – AIR						
Model	Range	P/N	Weight	Power Requirements	Avg. RPM	Avg. Torque
3570 (air)	3.1/2" – 7"	9G-3570 AIR	386 kg (850 lbs)	240 cfm @ 100 psi 113 l/sec @ 7 bar	100	1250 ft/lbs 1695 Nm
3595 (air)	3.1/2" – 9.1/2"	9G-3595 AIR	408 kg (900 lbs)	240 cfm @ 100 psi 113 l/sec @ 7 bar	100	1250 ft/lbs 1695 Nm
GRAYCHAIN – HYDRAULIC						
Model	Range	P/N	Weight	Power Requirements	Avg. RPM	Avg. Torque
3570 (hydr)	3.1/2" – 7"	9G-3570 HyD	363 kg (800 lbs)	20 gpm @ 2000 psi 76 l/min @ 138 bar	90	1200 ft/lbs 1627 Nm
3595 (hydr)	3.1/2" – 9.1/2"	9G-3595 HyD	408 kg (900 lbs)	20 gpm @ 2000 psi 76 l/min @ 138 bar	90	1200 ft/lbs 1627 Nm
GRAYSPIN – AIR						
Model	Range	P/N	Weight	Power Requirements	Avg. RPM	Avg. Torque
Mark 10 (air)	3.1/2" – 7"	9 MARK 10	430 kg (950 lbs)	240 cfm @ 100 psi 113 l/sec @ 7 bar	100	1285 ft/lbs 1742 Nm
Mark 30 (air)	3.1/2" – 9.1/2"	9 MARK 30 WL	567 kg (1250 lbs)	240 cfm @ 100psi 113 l/sec @ 7 bar	100	1285 ft/lbs 1742 Nm
GRAYSPIN – HYDRAULIC						
Model	Range	P/N	Weight	Power Requirements	Avg. RPM	Avg. Torque
Mark 20 (hydr)	3.1/2" – 7"	9 MARK 20	385 kg (850 lbs)	20 gpm @ 2000 psi 76 l/min @ 138 bar	90	1285 ft/lbs 1742 Nm
Mark 40 (hydr)	3.1/2" – 9.1/2"	9 MARK 40 WL	499 kg (1100 lbs)	20 gpm @ 2000 psi 76 l/min @ 138 bar	90	1285 ft/lbs 1742 Nm
BVOTSPIN						
Model	Range	P/N	Weight	Power Requirements	Avg. RPM	Avg. Torque
SSW-40 air	3.1/2" – 9.1/2"	9Gv73109	545 kg (1200 lbs)	250 cfm	100	1100 ft/lbs 1490 Nm

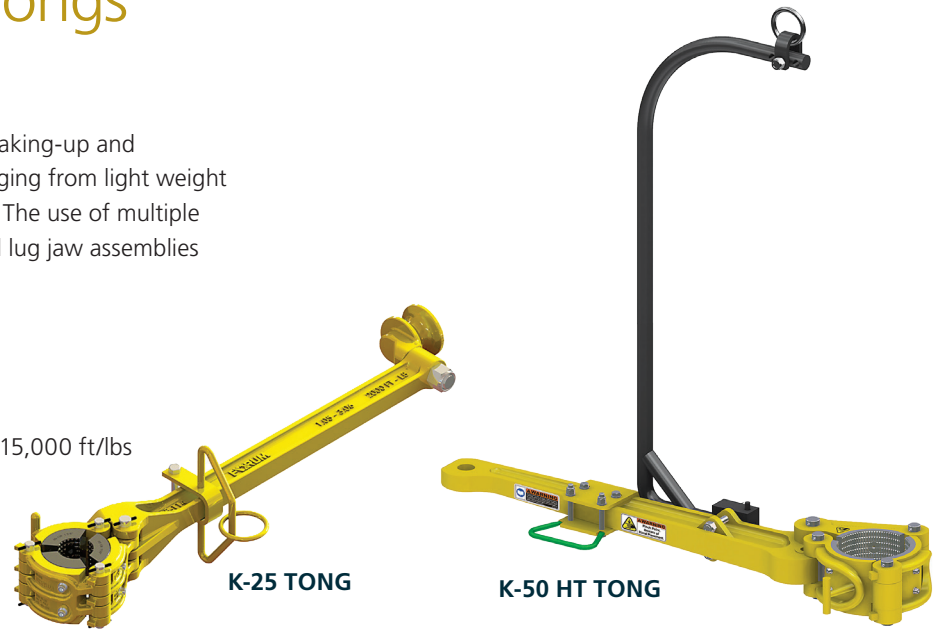
Manual Tubing Tong

Description

FORUM manual Tong are designed for making-up and breaking-out connections of tubulars, ranging from light weight tubing/casing to drill pipe and drill collars. The use of multiple latch steps and interchangeable hinge and lug jaw assemblies extends the range of the tongs.

Features

- Pipe sizes from 1.050" up 7"
- Torque rating from 2000 ft/lbs up to 15,000 ft/lbs



K-20 Tubing Tong Dies:

P/N	Description	Size (in.)	Weight (lbs)
04-119	K-20 TONG DIE, 3/4"	1.050	1
04-120	K-20 TONG DIE, 1"	1.315	1
04-121	K-20 TONG DIE, 1 1/4"	1.660	1
04-122	K-20 TONG DIE, 1 1/2"	1.900	1
04-123	K-20 TONG DIE, 2 1/16"	2.1/16"	1
04-124	K-20 TONG DIE, 2 3/8"	2 3/8"	0.4

K-25 Tubing Tongs

P/N	Description	Torque Rating (ft-lbs)	Size Range (in.)	Weight (lbs)
05-101	K-25 TONG L/ DIES, ROPE GUIDE, HANGER	2,000	1.05" - 3.1/16"	19
05-102	K-25 TONG COMPLETE L/DIES	2,000	1.05" - 3.1/16"	23

K-25 Dies

P/N	Description	Size (in.)	Weight (lbs)
05-129	K-25 TONG DIE, 3/4"	1.050	2
05-120	K-25 TONG DIE, 1"	1.315	2
05-121	K-25 TONG DIE, 1.1/4"	1.660	2
05-122	K-25 TONG DIE, 1.1/2"	1.900	1
05-123	K-25 TONG DIE, 2.1/16"	2.1/16"	1
05-124	K-25 TONG DIE, 2.3/8"	2.3/8"	1
05-125	K-25 TONG DIE, 2.1/2"	2.1/2"	1
05-126	K-25 TONG DIE, 2.697	2.697	1
05-127	K-25 TONG DIE, 2.776	2.776	1
05-128	K-25 TONG DIE, 2.7/8"	2.7/8"	0.5

K-30 Tubing Tongs

P/N	Description	Torque Rating (ft-lbs)	Size Range (in.)*	Weight (lbs)
06-101	K-30 TONG L/ DIES, HANGER	5,000	1.050" - 4.1/8"	46
06-102	K-30 TONG COMPLETE L/ DIES	5,000	1.050" - 4.1/8"	63
06-103	K-30 TONG L/DIES W/ ROLLOVER HANGER	5,000	1.050" - 4.1/8"	66

*Actual O.D of Pipe

Manual Tubing Tongs

K-30 Dies			
P/N	Description	Size (in.)*	Weight (lbs)
06-132	K-30 TONG DIE, 3/4"	1.050	4
06-136	K-30 TONG DIE, 1"	1.315	4
06-133	K-30 TONG DIE, 1 1/4"	1.660	4
06-134	K-30 TONG DIE, 1 1/2"	1.900	4
06-138	K-30 TONG DIE, 2"	2"	4
06-119	K-30 TONG DIE, 2 1/16"	2 1/16"	3
06-144	K-30 TONG DIE, 2 1/8"	2 1/8"	3
06-120	K-30 TONG DIE, 2 3/8"	2 3/8"	3
06-147	K-30 TONG DIE, 2 3/4"	2 3/4"	3
06-121	K-30 TONG DIE, 2 7/8"	2 7/8"	3
06-135	K-30 TONG DIE, 3"	3"	3
06-122	K-30 TONG DIE, 3 1/16"	3 1/16"	3
06-123	K-30 TONG DIE, 3 1/8"	3 1/8"	2
06-124	K-30 TONG DIE, 3 1/4"	3 1/4"	2
06-130	K-30 TONG DIE, 3 3/8"	3 3/8"	2
06-125	K-30 TONG DIE, 3 1/2"	3 1/2"	2
06-126	K-30 TONG DIE, 3.668	3.668	1
06-127	K-30 TONG DIE, 3 3/4"	3 3/4"	1
06-131	K-30 TONG DIE, 3 7/8"	3 7/8"	1
06-129	K-30 TONG DIE, 4"	4"	1
06-128	K-30 TONG DIE, 4 1/8"	4 1/8"	1

*Actual O.D of Pipe

K-50 Tubing Tongs				
P/N	Description	Torque Rating (ft-lbs)	Size Range (in.)	Weight (lbs)
06-501	K-50 TONG L/ DIES, HANGER	7,500	2.3/8" - 5.1/2"	60
06-502	K-50 TONG COMPLETE L/ DIES	7,500	2.3/8" - 5.1/2"	76
06-503	K-50 TONG L/ DIES, W/ ROLLOVER HANGER	7,500	2.3/8" - 5.1/2"	79

K-50 HT Tubing Tongs				
P/N	Description	Torque Rating (ft-lbs)	Size Range (in.)	Weight (lbs)
06-605	K-50 HT TONG L/ DIES, HANGER	15,000	2.3/8" - 5.1/2"	77
06-606	K-50 HT TONG COMPLETE L/ DIES	15,000	2.3/8" - 5.1/2"	94
06-607	K-50 HT TONG L/ DIES, W/ ROLLOVER HANGER	15,000	2.3/8" - 5.1/2"	97

K-50 & K-50 HT Dies			
P/N	Description	Size (in.)	Weight (lbs)
06-573	K-50/K-50HT TONG DIE, 2 3/8"	2.3/8"	6
06-575	K-50/K-50HT TONG DIE, 2 7/8"	2.7/8"	6
06-576	K-50/K-50HT TONG DIE, 3 1/2"	3.1/2"	5
06-577	K-50/K-50HT TONG DIE, 3 3/4"	3.3/4"	4
06-578	K-50/K-50HT TONG DIE, 4"	4"	4
06-579	K-50/K-50HT TONG DIE, 4 1/8"	4.1/8"	4
06-580	K-50/K-50HT TONG DIE, 4 1/2"	4.1/2"	3
06-581	K-50/K-50HT TONG DIE, 4 3/4"	4.3/4"	3
06-582	K-50/K-50HT TONG DIE, 5"	5"	2
06-583	K-50/K-50HT TONG DIE, 5 1/2"	5.1/2"	1

Manual Tubing Tong

K-70 Tubing Tong				
P/N	Description	Torque Rating (ft-lbs)	Size Range (in.)	Weight (lbs)
06-701	K-70 TONG L/ DIES, HANGER	12,500	2.7/8" - 7"	85
06-702	K-70 TONG COMPLETE L/DIES	12,500	2.7/8" - 7"	102
06-703	K-70 TONG L/ DIES, W/ ROLLOVER HANGER	12,500	2.7/8" - 7"	105

K-70 Dies			
P/N	Description	Size (in.)	Weight (lbs)
06-773	K-70 TONG DIE, 2 7/8"	2.7/8"	15
06-777	K-70 TONG DIE, 3"	3"	14
06-758	K-70 TONG DIE, 3 1/2"	3.1/2"	13
06-769	K-70 TONG DIE, 3 3/4"	3.3/4"	13
06-764	K-70 TONG DIE, 3.844"	3.844"	13
06-757	K-70 TONG DIE, 4"	4"	12
06-762	K-70 TONG DIE, 4.062"	4.062"	12
06-761	K-70 TONG DIE, 4 1/4"	4.1/4"	12
06-756	K-70 TONG DIE, 4 1/2"	4.1/2"	11
06-765	K-70 TONG DIE, 4.60"	4.60"	11
06-755	K-70 TONG DIE, 4 3/4"	4.3/4"	11
06-766	K-70 TONG DIE, 4 7/8"	4.7/8"	10
06-754	K-70 TONG DIE, 5"	5"	10
06-775	K-70 TONG DIE, 5.04"	5.04"	10
06-774	K-70 TONG DIE, 5 1/8"	5.1/8"	10
06-770	K-70 TONG DIE, 5 1/4"	5.1/4"	9
06-753	K-70 TONG DIE, 5 1/2"	5.1/2"	9
06-759	K-70 TONG DIE, 5 3/4"	5.3/4"	8
06-767	K-70 TONG DIE, 5.815"	5.815"	8
06-771	K-70 TONG DIE, 5 7/8"	5.7/8"	8
06-752	K-70 TONG DIE, 6"	6"	7
06-772	K-70 TONG DIE, 6 1/4"	6.1/4"	6
06-768	K-70 TONG DIE, 6.30"	6.30"	6
06-760	K-70 TONG DIE, 6 1/2"	6.1/2"	5
06-751	K-70 TONG DIE, 6 5/8"	6.5/8"	5
06-776	K-70 TONG DIE, 6.770"	6.770"	4
06-750	K-70 TONG DIE, 7"	7"	4

Tubing Tong Accessories		
P/N	Description	Series
05-109	Rope Guide	K-20 & K-25
05-113	Rollover Hanger	K-25
06-113	Hanger	K-30, K-50, K-50 HT & K-70
06-114	Rollover Block	K-30, K-50, K-50 HT & K-70

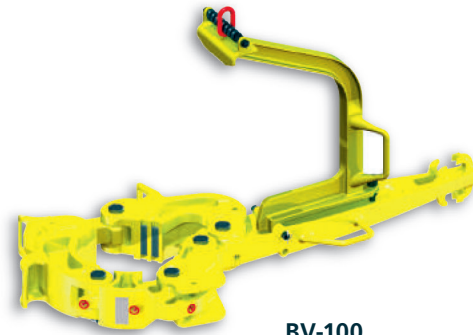
Manual Drill Pipe & Casing Tongs

Description

The FORUM BV Tong series is designed for making-up and breaking-out connections of tubulars, ranging from light weight Tubing/Casing to Drill Pipe and Drill Collars. The use of multiple latch steps and interchangeable Hinge and Lug Jaw Assemblies extends the range of the Tongs.

Features

- Pipe range from 3.1/2" up to 42"
- Torque rating from 30 000 ft/lbs up to 160 000 ft/lbs
- U-Clamp optionally available



BV-100



HANGER ASSEMBLY

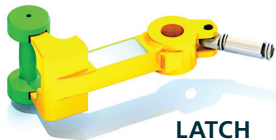
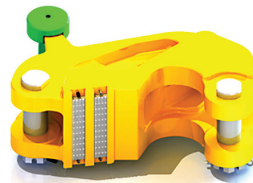


LEVER ASSEMBLY



U-CLAMP

LONG JAW



LATCH

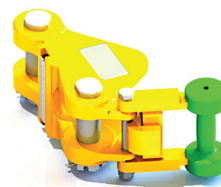
LUG JAW



HINGE JAW



HINGE JAW



SHORT JAW



HINGE JAW

*Optional Available: U-Clamp II Snub Line & Pull Line saver for WRT-35, WRT-55, Bv-65, Bv-100, WRT-160, P/N 70 616

**Annotation: Less Lug Jaw- / Hinge Jaw- / Casing Head Assemblies

Manual Drill Pipe & Casing Tongs

BV-65 MANUAL DRILL PIPE AND CASING TONG 3.1/2" – 21.1/2"			
Range	Description	P/N	
3.1/2" – 21.1/2"	BV-65 Tong, Long Lever, Long Hanger**	70 700-S	
3.1/2" – 21.1/2"	BV-65 Tong, Short Lever, Standard Hanger**	70 701-S	
3.1/2" – 21.1/2"	BV-65 Tong, Long Lever, Standard Hanger**	70 702-S	
3.1/2" – 21.1/2"	BV-65 Tong, Short Lever, Long Hanger**	70 703-S	

HINGE & LUG JAW ASSEMBLIES			
Range	Description	Torque Rating	P/N
3.1/2" – 8.1/4"	Lug Jaw Assembly	65 000 ft/lbs	70 780-S
8" – 11.1/4"	Lug Jaw Assembly	65 000 ft/lbs	70 782-S
11.3/4" – 14.3/8"	Lug Jaw Assembly	50 000 ft/lbs	70 783-S
16" – 17"	Lug Jaw Assembly	50 000 ft/lbs	70 784-S
11.3/4" – 17"	Hinge Jaw Assembly	65 000 ft/lbs	70 785
18.5/8" – 20"	Lug Jaw Assembly	50 000 ft/lbs	70 791-S
20" – 21.1/2"	Lug Jaw Assembly	50 000 ft/lbs	70 792-S
18.5/8" – 21.1/2"	Hinge Jaw Assembly	50 000 ft/lbs	70 793

BV-80 MANUAL DRILL PIPE AND CASING TONG 3.1/2" – 13.3/8"			
Range	Description	P/N	
3.1/2" – 13.3/8"	BV-80 Tong, Long Lever, Long Hanger**	70 100-S	
3.1/2" – 13.3/8"	BV-80 Tong, Short Lever, Standard Hanger**	70 101-S	

HINGE & LUG JAW ASSEMBLIES			
Range	Description	Torque Rating	P/N
3.1/2" – 4.1/2"	Lug Jaw Assembly	30 000 ft/lbs	70 180-S
4" – 5.1/4"	Lug Jaw Assembly	30 000 ft/lbs	70 181-S
5" – 6"	Lug Jaw Assembly	65 000 ft/lbs	70 182-S
6" – 7"	Lug Jaw Assembly	65 000 ft/lbs	70 183-S
7" – 9"	Lug Jaw Assembly	80 000 ft/lb	70 184-S
9" – 10.3/4"	Lug Jaw Assembly	50 000 ft/lbs	70 185-S
10.3/4" – 11.3/4"	Lug Jaw Assembly	50 000 ft/lbs	70 186-S
13.3/8"	Lug Jaw Assembly	50 000 ft/lbs	70 187-S

BV-100 MANUAL DRILL PIPE AND CASING TONG 4" – 21"			
Range	Description	P/N	
4" – 21"	BV-100 Tong, Long Lever, Long Hanger**	70 800-S	
4" – 21"	BV-100 Tong, Long Lever, Standard Hanger**	70 801-S	

HINGE & LUG JAW ASSEMBLIES			
Range	Description	Torque Rating	P/N
4" – 8.1/2"	Lug Jaw Assembly	100 000 ft/lbs	70 880-S
8.1/2" – 12"	Lug Jaw Assembly	100 000 ft/lbs	70 882-S
12" – 15"	Lug Jaw Assembly	75 000 ft/lbs	70 883-S
15.3/4"	Lug Jaw Assembly	100 000 ft/lbs	70 884-S
16" – 17"	Lug Jaw Assembly	60 000 ft/lbs	70 885-S
8.1/2" – 21"	Hinge Jaw Assembly	100 000 ft/lbs	70 886
18.5/8" – 21"	Hinge and Lug Jaw Assembly	50 000 ft/lbs	800 430-S

BV-100C CASING HEAD MANUAL TONG ASSEMBLIES			
Range	Description	Torque Rating	P/N
23.4" – 24.5"	BV-100C Casing Head Tong	100 000 ft/lbs	71 810-S
25.3" – 26.3"	BV-100C Casing Head Tong	100 000 ft/lbs	71 812-S
27.4" – 28.4"	BV-100C Casing Head Tong	100 000 ft/lbs	71 814-S
29.5" – 30.6"	BV-100C Casing Head Tong	100 000 ft/lbs	71 816-S
35.5" – 36.7"	BV-100C Casing Head Tong	100 000 ft/lbs	71 822-S
37" – 42"	BV-100C Casing Head Tong	100 000 ft/lbs	71 823-S

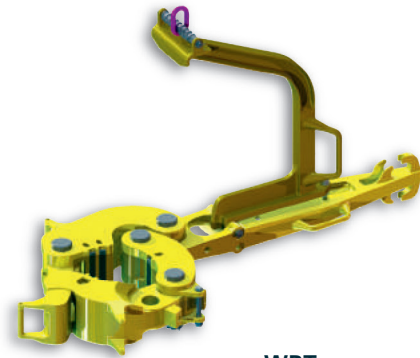
Manual Drill Pipe & Casing Tongs

Description

The FORUM WRT (Wide Range Tong) series is designed for making-up and breaking-out connections of tubulars, ranging from light weight Tubing/Casing to Drill Pipe and Drill Collars. The use of multiple latch steps and interchangeable Hinge and Lug Jaw Assemblies extends the range of the Tongs.

Features

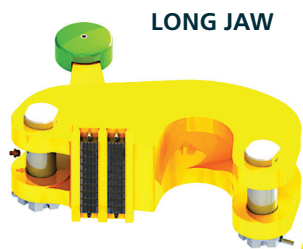
- Pipe range from 2.3/8" up to 31"
- Torque rating from 35 000 ft/lbs up to 160 000 ft/lbs
- U-Clamp optionally available
- Sophisticated tong design requires less jaws compared to all other 35 000 and 55 000 ft/lbs tongs



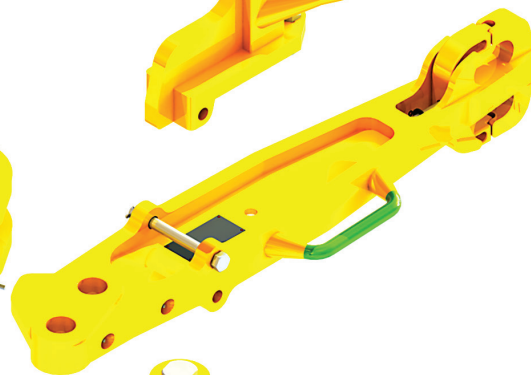
WRT



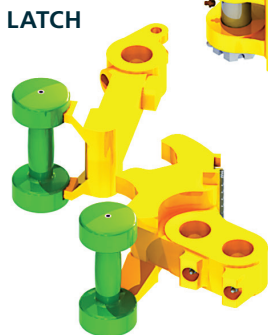
HANGER ASSEMBLY



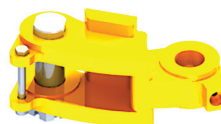
LONG JAW



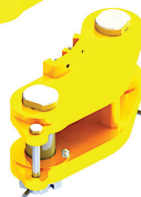
LEVER ASSEMBLY



LUG JAW



HINGE JAW



SHORT JAW



U-CLAMP

Manual Drill Pipe & Casing Tong

WRT-35 MANUAL DRILL PIPE AND CASING TONG 2.3/8" – 11"*			
Range	Description	P/N	
2.3/8" – 11"	WRT-35 Tong, Long Lever, Standard Hanger**	800 100-S	
2.3/8" – 11"	WRT-35 Tong, Short Lever, Standard Hanger**	800 101-S	

HINGE & LUG JAW ASSEMBLIES			
Range	Description	Torque Rating	P/N
2.3/8" – 7.5/8" & 7.5/8" – 11"	Lug Jaw Assembly	35 000 ft/lbs	800 105-S
7.5/8" – 11"	Hinge Jaw Assembly	35 000 ft/lbs	800 107

WRT-55 MANUAL DRILL PIPE AND CASING TONG 3.1/2" – 14.3/8"			
Range	Description	P/N	
3.1/2" – 14.3/8"	WRT-55 Tong, Long Lever, Standard Hanger**	800 200-S	
3.1/2" – 14.3/8"	WRT-55 Tong, Short Lever, Standard Hanger**	800 201-S	

HINGE & LUG JAW ASSEMBLIES			
Range	Description	Torque Rating	P/N
3.1/2" – 8.1/4"	Lug Jaw Assembly	55 000 ft/lbs	800 210-S
8" – 11.1/2"	Lug Jaw Assembly	55 000 ft/lbs	800 220-S
11.1/2" – 14.3/8"	Lug Jaw Assembly	55 000 ft/lbs	800 230-S
11.1/2" – 14.3/8"	Hinge Jaw Assembly	55 000 ft/lbs	800 207

WRT-55C MANUAL CASING TONG 13" – 31"			
Range	Description	P/N	
13" – 31"	WRT-55C Tong, Long Lever, Standard Hanger**	800 240	

CASING HEAD ASSEMBLIES			
Range	Description	Torque Rating	P/N
13" – 14.1/2"	Casing Head Assembly	25 000 ft/lbs	800 250-S
16" – 17.1/2"	Casing Head Assembly	25 000 ft/lbs	800 255-S
17.3/4" – 18.7/8"	Casing Head Assembly	25 000 ft/lbs	800 260-S
18.1/4" – 19.5/8"	Casing Head Assembly	25 000 ft/lbs	800 265-S
19.1/2" – 21"	Casing Head Assembly	25 000 ft/lbs	800 270-S
20.3/4" – 22.1/4"	Casing Head Assembly	25 000 ft/lbs	800 275-S
24" – 25.1/2"	Casing Head Assembly	25 000 ft/lbs	800 280-S
30" – 31"	Casing Head Assembly	25 000 ft/lbs	800 290-S

WRT-160 MANUAL TONG AND LUG JAW ASSEMBLY*			
Range	Description	Torque Rating	P/N
c/w Long Lever and Hanger Assy 7.1/2" – 12"	WRT-160 manual Tong	160 000 ft/lbs	800 500-S-160

HINGE & LUG JAW ASSEMBLIES			
Range	Description	Torque Rating	P/N
6" - 7.1/4" & 7.1/2" - 9"	Lug Jaw Assembly	160 000 ft/lbs	800 530-S-160
7.1/2" – 8.1/2" & 9.1/2" – 10.3/4"	Lug Jaw Assembly	160 000 ft/lbs	800 510-S-160
8.1/2" – 9.7/8" & 10.3/4" – 12"	Lug Jaw Assembly	160 000 ft/lbs	800 520-S-160

*Optional Available: U-Clamp II Snub Line & Pull Line saver for WRT-35, Bv-55, Bv-65, Bv-100, WRT-160, P/N 70 616

**Annotation: Less Lug Jaw- / Hinge Jaw- / Casing Head Assemblies

Manual Drill Pipe & Casing Tongs

Type C Tongs			
P/N*	Description	Size Range (in.)	Weight (lbs)
T30117-2	TYPE C TONG	2.3/8" - 7"	302
T30117-3	TYPE C TONG, SHORT	2.3/8" - 7"	289
T30117	TYPE C TONG	7.5/8" - 10.3/4"	302
T30117-1	TYPE C TONG, SHORT	7.5/8" - 10.3/4"	292

*Add -ST to the end of the part number for safety handles and set-back hanger.

Hinge & Lug Jaw Assemblies				
P/N*	Description	Size Range (in.)	Torque Rating (ft-lbs)	Weight (lbs)
T30728-1	LUG JAW ASSEMBLY	2.3/8" - 3.668	35,000	28
T30727-1	LUG JAW ASSEMBLY	2.7/8" - 4.1/4"	35,000	32
T11939-4	LUG JAW ASSEMBLY	3.1/2" - 5.1/4"	35,000	34
T11940-2	LUG JAW ASSEMBLY	5.1/4" - 7"	35,000	53
T11941-1	LUG & HINGE JAW ASSEMBLY	7" - 8.5/8"	30,000	67
T11941-2	LUG JAW ASSEMBLY	7" - 8.5/8"	30,000	36
T11942-1	HINGE JAW ASSEMBLY	7" - 8.5/8"	30,000	29
T13799-1	LUG & HINGE JAW ASSEMBLY	9.5/8" - 10.3/4"	30,000	85
T13799	LUG JAW ASSEMBLY	9.5/8" - 10.3/4"	30,000	45
T13798-1	HINGE JAW ASSEMBLY	9.5/8" - 10.3/4"	30,000	37

*Add -SH to the end of the part number for safety handles.

Die		
P/N	Description	Weight (lbs)
T16401-2	1/2 X 1.1/4 X 5 TONG DIE	0.6

Die Driver		
P/N	Description	Weight (lbs)
26-300	1.1/4" STRAIGHT TONG DIE DRIVER	7.2
26-350	1.1/4" ANGLED TONG DIE DRIVER	9.0
26-356	REPLACEMENT STRIKING CAP	1.5

Tong Line Block		
P/N	Description	Weight (lbs)
T11517-TLB	Tong Line Block	15

Manual Drill Pipe & Casing Tongs

Type B Tongs			
P/N*	Description	Size Range (in.)	Weight (lbs)
T30114	TYPE B TONG	3.1/2" - 13.3/8"	479
T30114-1	TYPE B TONG, SHORT	3.1/2" - 13.3/8"	456

*Add -ST to the end of the part number for safety handles and set-back hanger.

Hinge & Lug Jaw Assemblies:				
P/N*	Description	Size Range (in.)	Torque Rating (ft-lbs)	Weight (lbs)
T11765-1	LUG JAW ASSEMBLY	3.1/2" - 5"	55,000	31
T11196-3	LUG JAW ASSEMBLY	4.1/4" - 6.3/4"	55,000	46
T11196-2	LUG JAW ASSEMBLY	6.5/8" - 9"	55,000	63
T11297-1	LUG JAW ASSEMBLY	9" - 10.3/4"	40,000	69
T13285-1	LUG JAW ASSEMBLY	11.3/4"	40,000	66
T24592-1	LUG JAW ASSEMBLY	13.3/8"	30,000	81

*Add -SH to the end of the part number for safety handles.

Casing Head Assemblies:				
P/N*	Description	Size Range (in.)	Torque Rating (ft-lbs)	Weight (lbs)
T30791-2200	CASING HEAD ASSEMBLY	13.3/8" - 14.1/2"	25,000	-
T30791-2210	CASING HEAD ASSEMBLY	14.1/2" - 16"	25,000	-
T30791-2300	CASING HEAD ASSEMBLY	16" - 17.1/2"	25,000	-
T30791-2310	CASING HEAD ASSEMBLY	17.1/2" - 19"	25,000	-
T30791-2320	CASING HEAD ASSEMBLY	19" - 20"	25,000	-
T30791-2400	CASING HEAD ASSEMBLY	20" - 21.1/2"	25,000	-
T30791-2410	CASING HEAD ASSEMBLY	21.1/2" - 23"	25,000	-
T30791-2500	CASING HEAD ASSEMBLY	24" - 25.1/2"	25,000	-

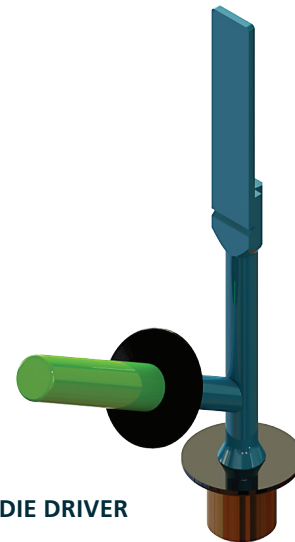
*Add -SH to the end of the part number for safety handles.

Die		
P/N	Description	Weight (lbs)
T16402-2	1/2 X 1 1/4 X 5 7/8" TONG DIE	0.8

Die Driver		
P/N	Description	Weight (lbs)
26-300	1 1/4" STRAIGHT TONG DIE DRIVER	7.2
26-350	1 1/4" ANGLED TONG DIE DRIVER	9.0
26-356	REPLACEMENT STRIKING CAP	1.5

Tong Line Block		
P/N	Description	Weight (lbs)
T9574-TLB	Tong Line Block	16
T9574-TLB-01	Tong Line Block (Sheave Type)	15

Manual Drill Pipe & Casing Tongs



TONG DIE DRIVER

Type HT-65 Tongs

P/N*	Description	Size Range (in.)	Weight (lbs)
T200540	TYPE HT-65 TONG	3.1/2" - 17"	450
T200540-S	TYPE HT-65 TONG L/ HANGER, SHORT	3.1/2" - 17"	424

*Add -ST to the end of the part number for safety handles and set-back hanger.

Hinge & Lug Jaw Assemblies

P/N	Description	Size Range (in.)	Torque Rating (ft-lbs)	Weight (lbs)
T200546-1*	LUG JAW ASSEMBLY	3.1/2" - 8.1/4"	65,000	85
T200547-1*	LUG JAW ASSEMBLY	8" - 11.1/4"	65,000	99
T200548*	LUG JAW ASSEMBLY	11.3/4" - 14.3/8"	40,000	75
T200549*	LUG JAW ASSEMBLY	16" - 17"	40,000	94
T200545-1	HINGE JAW ASSEMBLY	11.3/4" - 17"	40,000	57

*Add -SH to the end of the part number for safety handles. NOTE: Hinge jaw assembly required for sizes greater than 11 1/4".

Die

P/N	Description	Weight (lbs)
T16402-2	1/2 X 1 1/4 X 5 7/8" TONG DIE	0.8

Die Driver

P/N	Description	Weight (lbs)
26-300	1 1/4" STRAIGHT TONG DIE DRIVER	7.2
26-350	1 1/4" ANGLED TONG DIE DRIVER	9.0
26-356	REPLACEMENT STRIKING CAP	1.5

Tong Line Block

P/N	Description	Weight (lbs)
T24529-TLB	Tong Line Block	40

Manual Drill Pipe & Casing Tongs

Type HT-100 Tongs

P/N*	Description	Size Range (in.)	Weight (lbs)
T200071	TYPE HT-100 TONG	4" - 17"	639

*Add -ST to the end of the part number for safety handles and set-back hanger.

Hinge & Lug Jaw Assemblies

P/N	Description	Size Range (in.)	Torque Rating (ft-lbs)	Weight (lbs)
T200663-1*	LUG JAW ASSEMBLY	4" - 8.1/2"	100,000	144
T200664*	LUG JAW ASSEMBLY	8.1/2" - 12"	100,000	105
T200665*	LUG JAW ASSEMBLY	12" - 15"	75,000	141
T200666*	LUG JAW ASSEMBLY	15.3/4"	100,000	172
T200667*	LUG JAW ASSEMBLY	16" - 17"	60,000	167
T200662-1	HINGE JAW ASSEMBLY	8.1/2" - 17"	100,000	108

*Add -SH to the end of the part number for safety handles. NOTE: Hinge jaw assembly required for sizes greater than 11 1/4".

Die

P/N	Description	Weight (lbs)
T16401-2	1/2 X 1.1/4 X 5 TONG DIE	0.6

Die Driver

P/N	Description	Weight (lbs)
26-300	1.1/4" STRAIGHT TONG DIE DRIVER	7.2
26-350	1.1/4" ANGLED TONG DIE DRIVER	9.0
26-356	REPLACEMENT STRIKING CAP	1.5

Tong Line Block

P/N	Description	Weight (lbs)
T24529-TLB	Tong Line Block	40

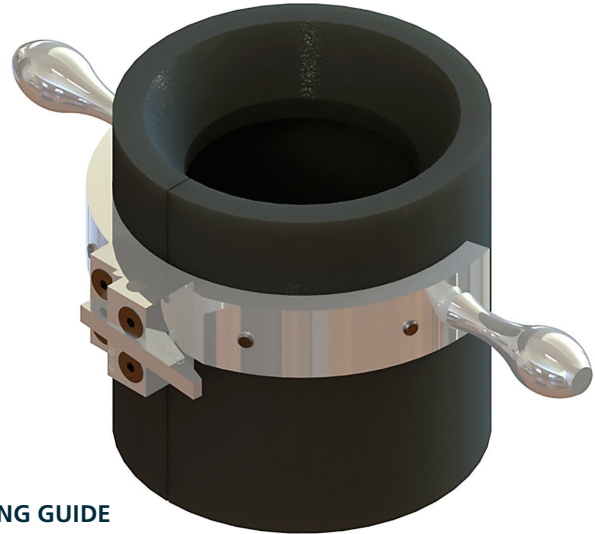
Stabbing Guides

Description

FORUM Stabbing Guides allow for quicker, easier stabbing and add protection against stabbing damage.

Features

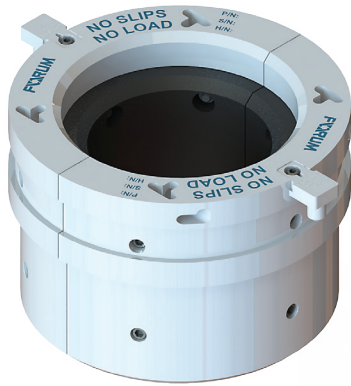
- Available in nylon and rubber
- Quick release latch



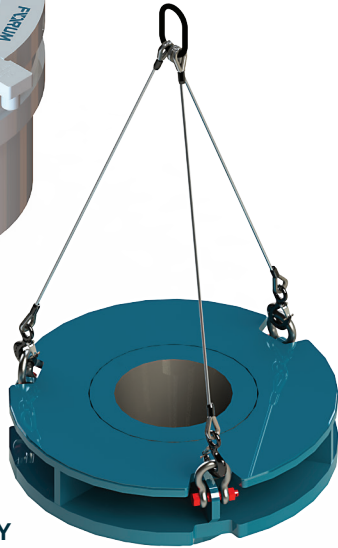
STABBING GUIDE

STABBING GUIDES*				
Description	Max T.J. O.D	P/N	Material	Weight
2.3/8" PH-6™ 5.95#	2.906"	02-107	Rubber	2 kg (5 lbs)
2.7/8" PH-6™ 7.90#	3.7/16"	02-109	Rubber	3 kg (6 lbs)
3.1/2" PH-6™ 12.95#	4.5/16"	02-115	Rubber	4 kg (8 lbs)
3.1/2" IF & 4" XT-39	4.7/8"	02-117-2	Rubber	5 kg (10 lbs)
4.1/2" XH	6.1/4"	02-143	Rubber	7 kg (15 lbs)
4.1/2" IF/NC50	6.5/8"	02-147	Rubber	6 kg (14 lbs)
4" XT-39	4.7/8"	02-200-N-1	Nylon	5 kg (10 lbs)
4.1/2" IF/NC50	6.5/8"	02-202-N-2	Nylon	6 kg (14 lbs)
4" XT-39	4.7/8"	02-202-N-7	Nylon	8 kg (17 lbs)
XT-57	7"	02-202-N-9	Nylon	6 kg (13 lbs)
5.1/2" XT-54	6.5/8"	02-202-N-10	Nylon	6 kg (13 lbs)
5.1/2" FH	7"	02-202-N-12	Nylon	5 kg (12 lbs)
6.5/8" FH	8.1/2"	02-203-N-1	Nylon	8 kg (18 lbs)
6.5/8" FH	8.3/4"	02-203-N-3	Nylon	8 kg (17 lbs)

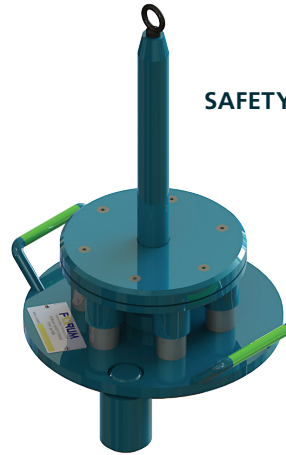
*Most common Stabbing Guides listed above – Other sizes and types of connections are available upon request



CENTRALIZER BOWLS



FALSE ROTARY



SAFETY STARTER STAND



PIPE ROLLER

Centralizer Bowls:

P/N:	Description:	Weight (lbs):
34-303-03	#3 Centralizer Bowl Assembly (37 1/2" - 49 1/2" Master Bushings)	452
1157163	22" Centralizer Bowl Assembly (37 1/2" National/Emsco)	2837

Centralizer Bowls Accessories:

P/N:	Description:	Weight (lbs):
34-304-03	#3 Centralizer Bowl Insert	33
1157165	22" Centralizer Bowl Insert	142

False Rotary Tables:

P/N:	Description:	Weight (lbs):
34-800	False Rotary Table f/ 18.5/8", 24" & 30"	1675

False Rotary Table Sling:

P/N:	Description:	Weight (lbs):
34-802*	Lifting Sling for False Rotary Table	

*Item included in False Rotary Table assembly

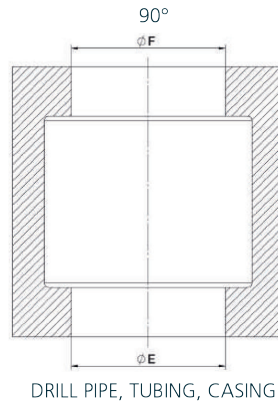
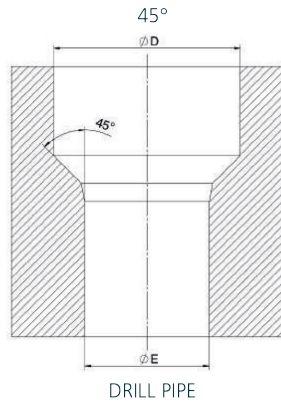
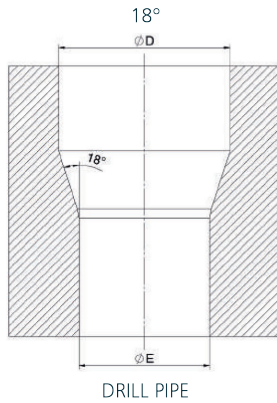
Safety Starter Stand:

P/N:	Description:	Weight (lbs):
26-900	Safety Thread Starter Stand	135

Pipe Roller:

P/N:	Description:	Weight (lbs):
26-950	Pipe Roller	6
1038238	Pipe Roller w/ Kickplate	7

Elevator Bore Codes



BORE CODES FOR 18° DRILLPIPE ELEVATOR		
Size	BVT Bore Code column 1	AOT Bore Code column 2
2.3/8" EU	101	116
2.7/8" IU	102	117
2.7/8" EU	103	118
3.1/2" IU	104	119
3.1/2" EU	105	120
4" IU	106	121
4" EU		
4.1/2" IU+IEU	107	122 / 5877
4.1/2" EU		
5" IEU	109	123 / 5876
5.1/2" IEU	111	124
6.906"	112	740
6.5/8" IEU		
8.1/4" TJ	113	740
6.5/8" IEU		
8.1/2" TJ	114	740
5.7/8"	115	5875
6.5/8" IEU		
max. 9.1/4"	116	
OD Tool Joint		
5.68" HWDP	117	

BORE CODES FOR 45° DRILLPIPE ELEVATOR	
Size	BVT Bore Code column 1
6.906"	712
6.906"	713
6.5/8"	714
6.5/8" IEU	
max. 9.1/4"	715
OD Tool Joint	

BORE CODES FOR 90° TUBING ELEVATOR		
Size	BVT Bore Code column 1	AOT Bore Code column 2
1,050" P	121	150
1,050" U	122	151
1,315" P	123	152
1,315" U	124	153
1,660" P	125	154
1,660" U	126	155
1,900" P	127	156
1,900" U	128	157
2.3/8" P	129	158
2.3/8" U	130	159
2.7/8" P	131	160
2.7/8" U	132	161
3.1/2" P	133	162
3.1/2" U	134	163
4" P	135	164
4" U	136	165
4.1/2" P	137	129
4.1/2" U	138	167
5" P	139	
5" U	140	
5.1/2" P	141	
3" U	142	

Elevator Bore Codes

BORE CODES FOR 90° DRILLPIPE ELEVATOR		
Size	BVT	AOT
	Bore Code column 1	Bore Code column 2
2.3/8" IU	151	109
2.3/8" EU	152	110
2.7/8" IU	153	108
2.7/8" EU	154	101
3.1/2" IU	155	102
3.1/2" EU	156	103
4" IU	157	104
4" EU		105
4.1/2" IU+IEU	158	
4.1/2" EU		106
5" IEU	159	
5.1/2" IEU	160	107
6.5/8" IEU	161	

BORE CODES FOR 90° DRILL COLLAR WITH ZIP GROOVE		
Size	BVT	AOT
	Bore Code column 1	Bore Code column 2
3.1/8"	206	
4.1/8"	181	177
4.3/4"	182	435
5.3/4"	185	181
6"	186	362
6.1/4"	187	337
6.1/2"	188	373
6.3/4"	189	387
7"	190	361
7.1/4"	191	357
7.1/2"	192	188
7.3/4"	193	339
8"	194	336
8.1/2"	196	426
9"	198	427
9.1/2"	199	370
9.3/4"	203	367
10"	202	195

BORE CODES FOR 90° CASING ELEVATOR		
Size	BVT	AOT
	Bore Code column 1	Bore Code column 2
5.1/2"	224	132
6.5/8"	228	135
7.5/8"	231	137
7.3/4"	269	138
7"	229	136
8.3/4"	263	
9.5/8"	236	141
9.7/8"	265	3009
10.3/4"	238	142
11.3/4"	239	143
11.7/8"	262	3011
12.3/4"	241	3012
13.3/8"	243	144
13.1/2"	270	3015
13.5/8"	259	596
14"	255	690
14"	424	690
16"	245	145
16.3/4"	246	3014
18"	247	723
18.5/8"	248	146
20"	249	147
22"	261	688
24"	254	630
24.1/2"	251	149
26"	252	650
28"	256	693
30"	253	644
32"	258	3020
36"	257	3021
42"	408	

BORE CODES FOR 90° DRILL COLLAR WITHOUT ZIP GROOVE		
Size	BVT	AOT
	Bore Code column 1	Bore Code column 2
3.1/8"	308	206
3.1/2"	272	209
4.1/8"	274	519
4.1/2"	275	215
4.3/4"	276	354
5"	277	552
5.1/4"	279	219
5.1/2"	280	411
5.3/4"	281	222
6"	282	349
6.1/4"	284	348
6.1/2"	286	1350
6.3/4"	287	338
7"	288	372
7.1/4"	289	335
7.1/2"	291	1370
7.3/4"	292	
8"	293	334
8.1/4"	295	347
8.1/2"	296	580
8.3/4"	310	226
9"	297	356
9.1/2"	298	346
9.3/4"	300	
10"	301	228
11"	304	230
11.1/4"	305	
12"	307	

Elevator Bore Codes

ZIP GROOVE BORE	
Bore Code Book	Size
ZIP BORE 179	5.1/4
ZIP BORE 180	5.1/2
ZIP BORE 188	7.1/2
ZIP BORE 196	11.1/4
ZIP BORE 419	11
ZIP BORE 422	8.1/4
ZIP BORE 527	10.3/4
ZIP BORE 528	3.1/2
FORMERLY: DRILL COLLARS WITH ZIP	

LIFT PLUG BORE	
Bore Code Book	Size
LIFT PLUG BORE 1350	6.1/2"
LIFT PLUG BORE 201	2.1/2"
LIFT PLUG BORE 203	2.3/4"
LIFT PLUG BORE 205	3"
LIFT PLUG BORE 207	3.1/4"
LIFT PLUG BORE 211	3.3/4"
LIFT PLUG BORE 213	4"
LIFT PLUG BORE 227	9.1/4"
LIFT PLUG BORE 229	10.1/2"
LIFT PLUG BORE 331	6.3/8"
LIFT PLUG BORE 548	4.1/4"
LIFT PLUG BORE 550	7"
FORMERLY: DRILL COLLARS WITH LIFT PLUG	

CASING BORE (POST 10/2012)	
Bore Code Book	CASING SIZE
CASING BORE 129	4.500
CASING BORE 130	4.750
CASING BORE 131	5.000
CASING BORE 133	5.750
CASING BORE 134	6.000
CASING BORE 7850	7.799
CASING BORE 3019	8.313
CASING BORE 139	8.625
CASING BORE 140	9.000
CASING BORE 3022	9.375
CASING BORE 831	10.000
CASING BORE 3025	10.125
CASING BORE 3016	10.250
CASING BORE 3010	10.625
CASING BORE 3018	11.000
CASING BORE 3013	12.875
CASING BORE 3017	15.000
CASING BORE 3024	16.250
CASING BORE 148	21.500
CASING BORE 3023	23.313

Service and Technical Assistance at FORUM

We at FORUM Energy Technologies treat customer service as one of our core values and understand the needs of our clients and the importance of Repair and maintenance Services. Forum Energy Technologies considers Customer Service a core value. We understand the needs of our clients and the importance of repair and maintenance services. We provide a highly efficient global Repair and maintenance Service Centers combined with a worldwide network of authorized service facilities and on-site service.

FORUM After Sales Service offerings

- Customer-oriented service with highest quality standards
- Maintenance in accordance with to API inspection categories III and IV
- Overhaul, repair and rebuild of equipment by using FORUM parts only
- Recertification of FORUM Handling Tools including performance load test, 100% NDT and documentation, according to API 7K and API 8C
- Equipment upgrades to comply with API 7K 6th Edition requirements
- Product upgrades per latest FORUM standards
- On-site and in-house Equipment Training
- Installation and Commissioning Service
- Troubleshooting



Notes

Drilling Sales Headquarters

10344 Sam Houston Park Drive, Suite 300
Houston, TX 77064
USA
+1 713 351 7900



Regional Offices

United Kingdom

Blackhill Industrial Estate Findon
Aberdeen, Aberdeenshire, SCTLND AB124RL
UK
+44 (0) 1224 782 232

Dubai

Oilfields Supply Center
Building B-45
Jebel Ali Free Zone
Dubai
UAE
+44 971 4 883 5266

Canada

9503 -12th Avenue SW.
Edmonton, AB T6X-0C3
Canada
+1 780 980 0345

Singapore

No 51 Benoi Road #06-00
Singapore 629 908
Singapore
+65 6465 4850

Germany

Hermann-Blohm-Str. 2
20457 Hamburg
Germany
+49 40 37022 6855

Our goal is to become the leading provider of mission critical oilfield products and related services in terms of customer satisfaction, safety and financial performance.

Our experienced management team and employees are dedicated to solving our customers' problems. We invest in long term relationships and cooperate on product development with our clients, we consider them our partners.

Our Core Values

No one gets hurt

The safety of our employees and customers is our first priority coupled with a healthy respect for the environment.

Integrity

In everything we do, in every interaction, both internally and externally, we strive to operate with the utmost integrity and mutual respect.

Customer focused

Our products enhance our customer's performance and we listen to their needs and work with them to solve their challenges.

Good place to work

We are committed to creating a workplace that fosters innovation, teamwork and pride. Every team member is integral to our success and is treated equally and fairly.



Drilling Sales

10344 Sam Houston Park Drive
Suite 300
Houston, TX 77064

ForumDP.Sales@F-E-T.com

713-351-7900

DRL1153.07.2020