

Gin-Pole Truck Evaluation Worksheet

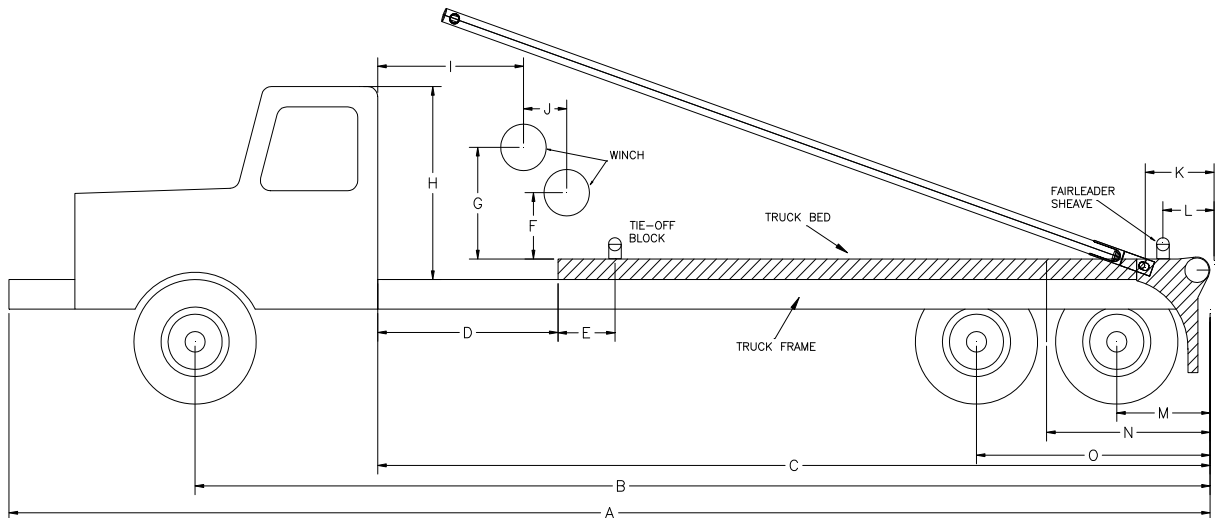
Company:

Evaluation Date:

Truck Make:	
Truck Model:	
MFG Year:	
Truck VIN Number:	
Bed serial Number:	
Bed Manufacture date:	

Documenting Gin-Pole Truck Dimensions:

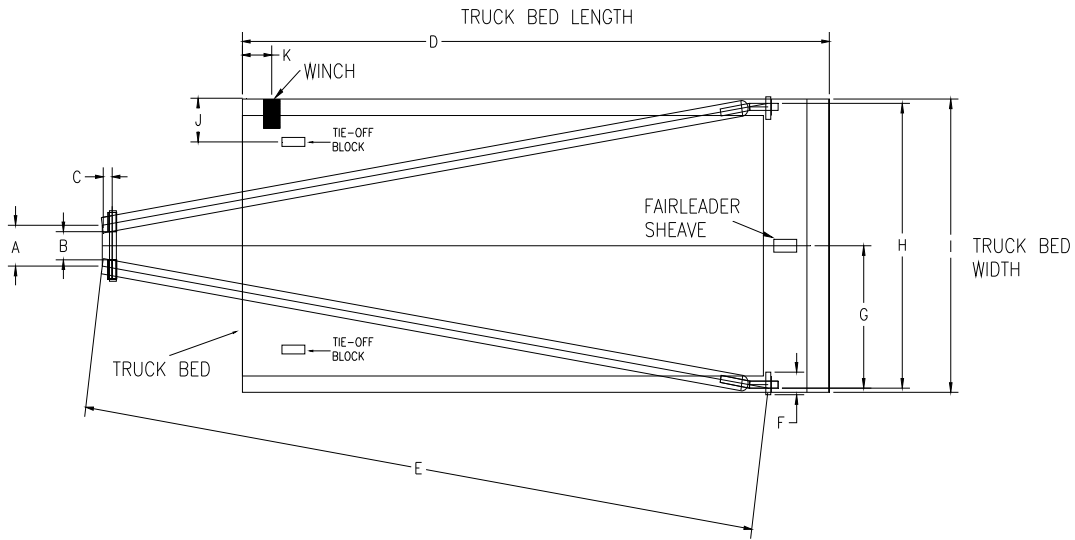
Note: The truck drawings below are samples only, if the gin-pole truck being evaluated has a different configuration, different drawings may be required.



Use the drawing above as a guide and enter the side view measurements indicated in the data table below.

A.	F.	K.
B.	G.	L.
C.	H.	M.
D.	I.	N.
E.	J.	O.

Overhead view dimensions.



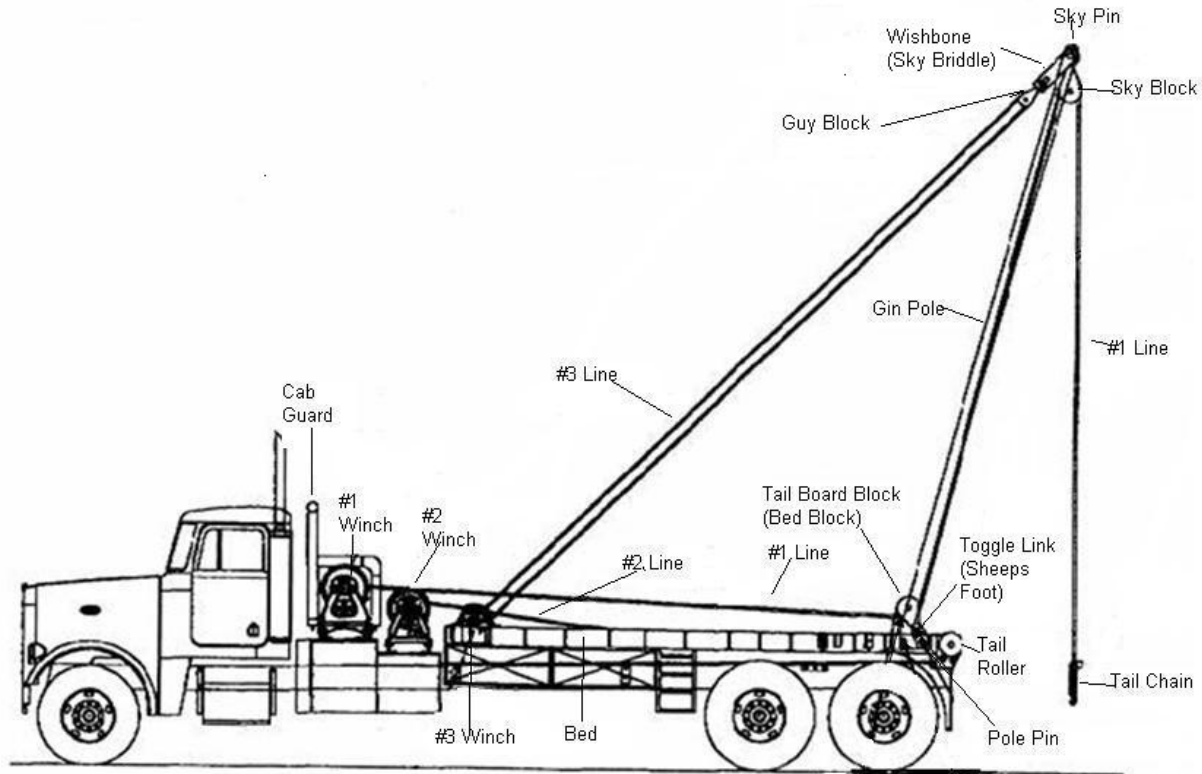
Use the overhead view drawing above as a guide and enter the measurements indicated.

A.	E.	I.
B.	F.	J.
C.	G.	K.
D.	H.	

Additional drawings and information that may be needed are:

1. Sky Pin
2. Pole Foot Pin
3. Tail Roller Pin
4. Toggle Link (Sheep's Foot)
5. Toggle Link Pin
6. Tie off block pin

Gin-Pole Truck Components:



Enter component data on the table below:

Truck Component:	Manufacturer & Model No.	OEM or Metal Strength Specifications:
# 1 Winch		
# 2 Winch		
# 3 Winch		
# 1 Winch line		
# 2 Winch line		
# 3 Winch line		
Winch(s) mount components		
Tail Board Block (Bed Block)		
Toggle Link (Sheep's Foot)		
Toggle Link Pin		
Pole Foot Pin		
Pole		
Tail Roller		
Tail Roller Pin		
Guy Block		
Sky block		
Wishbone (Sky Bridle)		
Sky Pin		
Tail Chain (Four Ways)		
Continue on next page		

Enter component data on the table below:

Continued from previous page		
Truck Component:	Manufacturer & Model No.	OEM or Metal Specifications:
Bed		
Bed mounting components		
Tire Specifications		
Wheel(s) Specifications		
Axle(s) Specifications		
Frame Specifications		
Spring Specifications		
Transmission Specifications		
Engine Specifications		

Note: Items that are shop made be sure to enter the type of metal: i.e. 4140 or 4130 etc.